

Inspection Certificate

Kontrollschein • Bulletin de contrôle • Certificato di controllo •
Certificado de control

Log cabin FRI40-5044

Blockhaus • Maisonnette en poutres • Casa di travi • Casita

Please keep safely!

Bitte gut aufbewahren! • A bien conserver, s.v.p.! • Da conservare! •
¡Para conservar!

30.01.2012

English: The house you have purchased was manufactured in accordance with the high quality norms. The building unit has been carefully inspected and packed. In order to avoid possible problems during the assembly carried out by yourself or the building company of your choice, we recommend that you inspect the delivery for its completeness in accordance with the list of pieces before assembly. This inspection must be carried out within 14 days after delivery to your place. Warranty claims are limited to the exchange of defective materials. Defective building parts, which have already been used or painted, are excluded from being replaced. All further claims are excluded! In cases of complaints, please pay attention to the following procedures: Please present this inspection certificate along with the sales receipt to your place of purchase. Only in cases where these documents are presented will the complaint be dealt with quickly and without complications.

Deutsch: Das von Ihnen gekaufte Haus wurde nach der hohen Qualitätsnorm gefertigt. Der Bausatz wurde sorgfältig geprüft und verpackt. Um etwaige auftretende Probleme während des Aufbaus durch Sie oder Ihre Aufbaufirma zu vermeiden, kontrollieren Sie bitte die Lieferung auf Vollständigkeit laut Stückliste vor dem Aufbau. Diese Kontrolle muss innerhalb 14 Tagen nach Anlieferung bei Ihnen erfolgen. Ansprüche auf Gewährleistung beschränken sich auf den Austausch von fehlerhaftem Material. Fehlerhafte Bauteile, die bereits verbaut oder gestrichen wurden, sind vom Umtausch ausgeschlossen. Alle weiteren Ansprüche sind ausgeschlossen! Sollte es zu einer Beanstandung kommen, beachten Sie folgende Vorgehensweise: Legen Sie Ihrem Fachhändler diesen Kontrollschein zusammen mit dem Einkaufsbeleg vor. Nur bei Vorlage dieser Unterlagen ist eine schnelle und problemlose Bearbeitung Ihrer Beanstandung möglich.

Français: La cabane que vous venez d'acheter a été fabriqué en respectant de hautes normes de qualité. L'ensemble de construction a été testé et emballé avec soin. Afin d'éviter des problèmes éventuels pendant la construction par vous-même ou la société de construction mandatée, nous vous prions de bien vouloir vérifier que toutes les pièces ont été fournies selon la liste des pièces avant que vous ne commenciez la construction. Il vous incombe de faire ce contrôle dans les 14 jours après la fourniture. Les revendications en dédommagement se limitent à l'échange de matériel défectueux. Des pièces de construction défectueuses, déjà construites ou peintes, sont exclues de tout échange. Toutes les revendications ultérieures sont exclues ! Si une réclamation avait lieu, veuillez respecter le déroulement suivant : Il vous faudra présenter, à votre commerçant spécialisé, ce bulletin de contrôle avec le récépissé de l'achat. Ce ne sera que moyennant présentation de ces documents qu'un traitement rapide et sans problème de votre réclamation sera possible!

Italiano: La casetta che avete acquistato è stata prodotta secondo la norma di alta qualità. Il kit è stato controllato ed imballato con cura. Per evitare eventuali inconvenienti durante il montaggio, si prega di verificare, prima del montaggio, la completezza della fornitura in base alla distinta dei pezzi. Tale verifica deve essere effettuata entro 14 giorni dalla consegna. Eventuali diritti di garanzia si limitano alla sostituzione di materiale difettoso. Gli elementi difettosi già montati o verniciati sono esclusi dal diritto alla sostituzione. Ogni altro diritto resta escluso! In caso di reclamazione, procedere nel modo seguente: presentare questo certificato di controllo unitamente alla prova d'acquisto al rivenditore. Solo in questo modo la Sua reclamazione potrà essere evasa rapidamente e senza problemi.

Español: La casa que ha adquirido ha sido fabricado de acuerdo con las normas de alta calidad. La construcción de la unidad ha sido cuidadosamente inspeccionada y embalada. Con el fin de evitar posibles problemas durante la montaje llevada a cabo por usted o la empresa de construcción de su elección, le recomendamos que inspeccione la entrega de acuerdo con la lista de las piezas antes del montaje. Esta inspección deberá realizarse dentro de los 14 días después del parto a su lugar. Las reclamaciones de garantía se limita al intercambio de materiales defectuosos. La construcción de partes defectuosas, que ya han sido utilizados o se pintan, no pueden ser reemplazados. Todas las otras reclamaciones están excluidos! En los casos de quejas, por favor, preste atención a los siguientes procedimientos: Por favor presente este certificado junto con el recibo de venta a su lugar de compra. Sólo en los casos en que estos documentos se presentan a la denuncia se resuelva de forma rápida y sin complicaciones.

Factory inspection by • Werkskontrolle durch • Contrôle à partir de l'usine par • Collaudato da • Controlado en la fábrica por :

Pack number • Pack Nr. • Packet n° • Pacco N. • N° paquete:

Date • Datum • Date • Data • Fecha :

To be completed by buyer! (Please use block letters) • Vom Käufer auszufüllen! (Bitte in Druckschrift) • A remplir par l'acheteur! (en lettres d'imprimerie, s'il vous plaît) • Da compilare dall'acquirente! (in stampatello) • Rellena el cliente (en mayusculas por favor) :

Place of purchase • Bezugsquelle • Source d'achat • Acquistato presso • Lugar de compra :

Buyer's address • Kundenanschrift • Adresse du client • Indirizzo del cliente • Dirección del cliente:

Sales receipt No. • Kaufbeleg-Nr. • Récépissé n°

• Prova d'acquisto N. • N° recibo:

Delivery date • Lieferdatum • Date de livraison •

Data di consegna • Fecha de entrega:

Telephone • Telefon • Téléphone • Telefono:

Sales receipt date • Kaufbeleg-Datum • Date du récépissé • Data prova

d'acquisto • Fecha recibo :

Forwarder: Pick-up Others • Durch: Spedition Selbstabholer •

Par: Transporteur Propres moyens • Tramite: Spedizioniere Mezzo proprio

• Entrega: Transporte organizado transporte de cliente

Description of complaint • Schilderung der Beanstandung • Description de la réclamation • Descrizione della reclamazione • descripción de queja: **Please keep the parts which are the object of the complaint until the complaint is settled!** • Bitte die reklamierten Teile aufheben, bis die Reklamation erledigt ist! • Veuillez garder les pièces contestées jusqu'à ce que la réclamation soit traitée définitivement! • Si prega di conservare i pezzi reclamati fino all'evasione della reclamazione! • Por favor mantiene todas detalles reclamadas hasta que la queja se ha resuelto.



Installation manual

Montageanleitung • Notice de montage • Istruzioni per il montaggio • Manual de montaje

Log cabin FRI40-5044

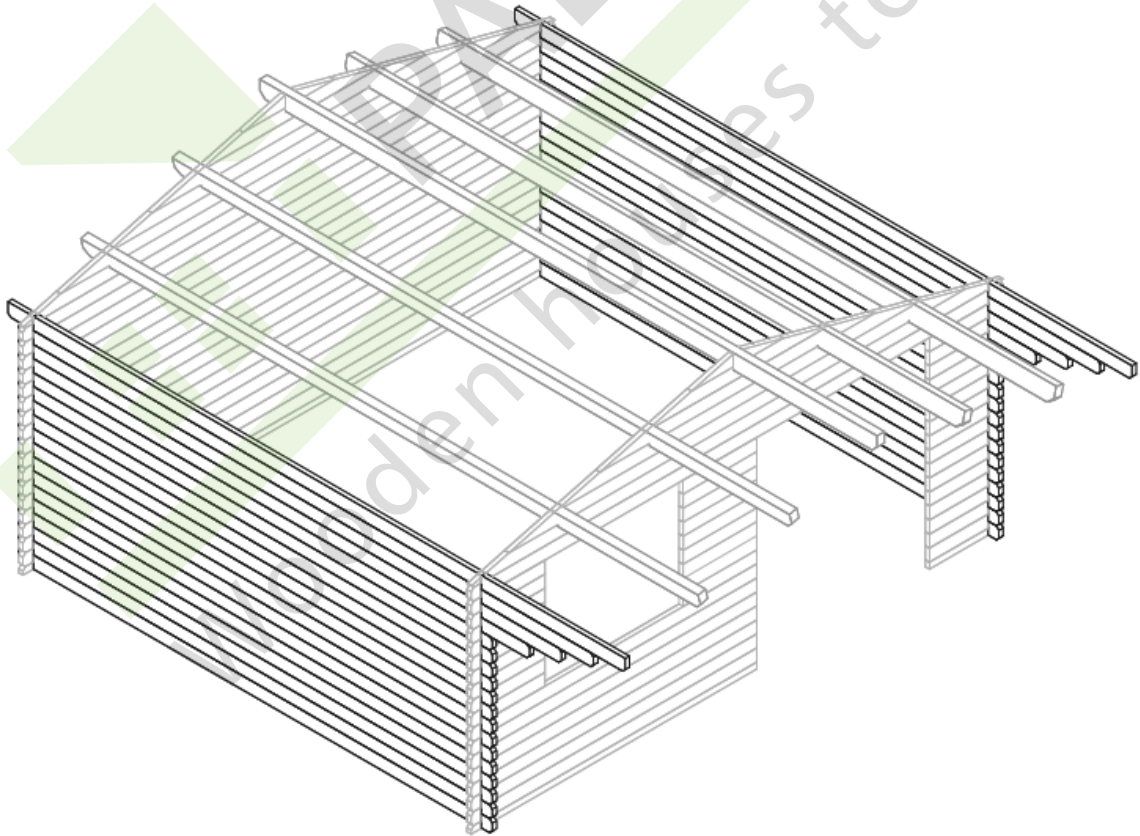
Blockhaus • Maissonnette en poutres • Casa di travi • Casa de jardin

Width 500 x Depth 445 cm

Breite/Tiefe • Largeur/Profondeur • Lunghezza/Profondità • Ancho/Profundidad

Log thickness 40 mm

Bohlenstärke • Épaisseur des murs • Spessore delle pareti • Grosor de pared



The producer shall have the right to make technical changes to the product • Technische Änderungen vorbehalten • Le producteur réserve le droit d'effectuer des modifications techniques au produit • Il produttore mantiene il diritto di apportare modifiche tecniche al prodotto • Reservado el derecho a modificaciones técnicas

1 General information



Dear client,

We are glad that you have decided in favour of our garden house!

Please read the assembly manual carefully before proceeding with the house installation! You will thus avoid problems and will not waste time.

Recommendations:

- Keep the house package until its complete assembly in a dry place, but not in direct contact with the ground, protected from weather conditions (moisture, the sun, etc.). Do not keep the house package in a heated room!
- When selecting the garden house location, make sure that the house will not be subjected to extreme weather conditions (areas of strong snowfall or winds); otherwise you should attach the house (for instance, with anchors) to the subsoil.



Warranty

Your house is made from high quality fir and delivered in the natural (unprocessed) form. If, despite our thorough inspection, you should have complaints, please submit the filled out control sheet and purchase invoice to the product seller.

ATTENTION: Please be sure to keep the documentation accompanying the house package! The control sheet includes the control number of the house. We can only review complaints if you submit the control number of the house to the seller!

The warranty does not cover:

- Peculiarities of wood as a natural material
- Wooden details already painted (processed with a wood preservative)
- Wooden details containing whole branches that do not endanger the stability of the house
- Colour tone variations caused by wood structure differences that do not influence wood lifetime
- Wooden details containing (caused by drying) small cracks/gaps that do not pass through and do not influence the structure of the house
- Twisted wooden details if they can nevertheless be installed
- Roof and floor boards that may have on their concealed surfaces some non-planed areas, colour differences and waning
- Complaints resulting from an incompetent manner of the installation of the house or the house subsiding due to an incompetently made foundation
- Complaints caused by introducing self-initiative changes to the house, such as the deformation of wooden details and doors/windows due to an incompetent manner of wood processing; the attachment of storm braces too rigidly, doorframes being screwed onto wall logs, etc.

The complaints covered by the warranty are satisfied to the extent of replacing the deficient/faulty material. All other demands will be excluded!



Garden house painting and maintenance

Wood is a natural material, growing and adapting depending on weather conditions. Large and small cracks, colour tone differences and changes, as well as a changing structure of wood are not errors, but a result of wood growing and a peculiarity of wood as a natural material.

Unprocessed wood (except for foundation joists) becomes greyish after having been left untouched for a while, and can be turn blue and become mouldy. To protect the wooden details of your garden house, you must immediately process them with a wood preservative.

We recommend that you cover the floor boards in advance with a colourless wood impregnation agent, especially the bottom sides of the boards, to which you will no longer have access when the house is assembled. Only this will prevent moisture penetration.

We definitely recommend that you also process the doors and windows with a wood impregnation agent, and do that namely both inside and outside! Otherwise the doors and windows can become twisted.

After the house assembly is completed, we recommend for the conclusive finishing a weather protection paint that will protect wood from moisture and UV radiation.

When painting, use high quality tools and paints, follow the paint application manual and manufacturer's safety and usage instructions. Never paint a surface in strong sunlight or rainy weather. Consult a specialist regarding paints suitable for unprocessed softwood and follow the paint manufacturer's instructions.

Having been properly painted, your garden house's lifetime will increase substantially. We recommend that you inspect the house thoroughly once every six months.

2 Preparation for assembly

Tools and preparation of components

To assemble the garden house, you will need the following tools:



assembly aid



ladder



hammer



water-level



screwdriver



saw



knife



measuring tape



pliers



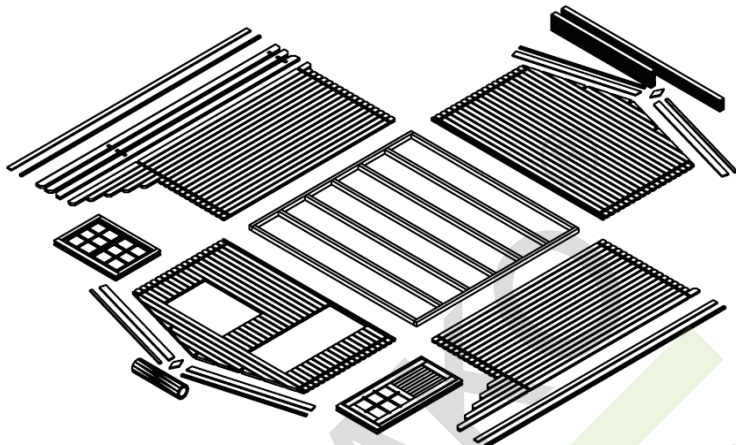
drill

ADVICE: To avoid splinters, we recommend that you wear the corresponding protective gloves during the assembly process.

Preparation of components:

Sort the components based on the wall plans (see Technical specifications) and place them at the four sides of the house in the installation sequence.

ATTENTION: Never place the components directly on grass or a muddy surface because it will be very difficult or even impossible to clean them up later!



Foundation

A good foundation is the most important aspect guaranteeing the duration and safety of your house. Only a completely level, rectangular and bearing foundation will ensure problem-free installation of the house, its stability and especially the matching of the doors. With a good foundation, your house will stand for many years more.

Prepare the foundation so that its upper edge extends from the ground to a height of at least 5 cm. At the same time make sure that there are sufficient air apertures under the house floor for ventilation.

We recommend the following foundation options:

- Strip or spot foundation
- Foundation from concrete or pavement slabs
- Cast concrete bed

Prepare the foundation so that the foundation joists are propped up on every side with intervals not exceeding 50-60 cm.

Consult an expert in this field or have the foundation prepared by specialists.

3 Garden house assembly

ATTENTION:

- You will find included in the house package one spare log (longest wall log).
- You will find included in the house package one spare board (longest roof or floor board).
- The house package also includes 2-3 marked hitting blocks (wall profile approximately 20-30 cm long).

All of the details listed above ARE NOT mentioned in the specification list.

- The drawings have the details marked with three-digit position numbers. The exact positions of those details that have the third digit "x" can be found in the specification list.

Installation manual

Base frame (Foundation joists)

The base frame of the house must be completely flat and level to ensure that the installation proceeds without problems.

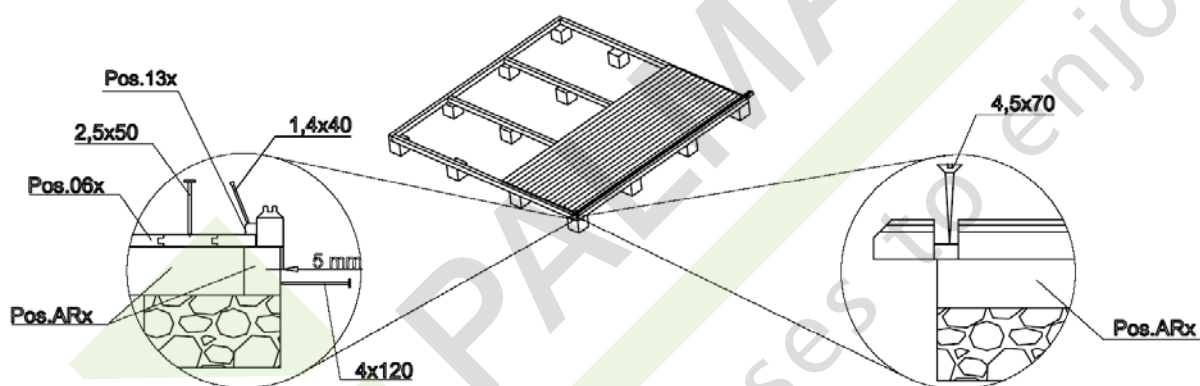
ATTENTION: different house can have different foundation placements – see the appended base frame drawing (in Technical specifications)!

Place the impregnated foundation joists on the prepared foundation in accordance with the drawing at equal intervals. Make sure that the joists are level and rectangular prior to screwing them together.

ADVICE: It is recommended to place between the foundation joists and foundation a damp-proof course that will protect the house from moisture and decay.

ADVICE: To ensure protection from wind and storm, it is recommended to attach the foundation joists to the foundation (for this, you can use for instance metal angles, anchors, etc.). The corresponding materials are not included in the supplied kit!

Installation of foundation joists:



Walls

When installing the walls, it is important to remember that:

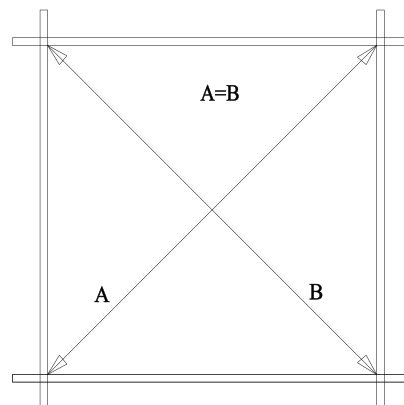
- The logs are always assembled with their tongue upwards!
- If necessary, use the hitting block and hammer! Never directly hit the tongue with the hammer!

Install the walls in accordance with the appended wall plans (see Technical specifications).

First of all place half logs of front and back wall at the correct location and attach them with screws to the foundation joists. Then install the side wall logs. Make sure that the first layer of logs extends a bit over the foundation joists: the logs must extend over the joists by some 3-5 mm. You will thus protect the house from moisture, allowing the free flow of rainwater into the ground.

ATTENTION: After the first layer of logs, measure the diagonal lengths and, if necessary, re-install the logs. Only if the diagonal lengths are completely equal is the base frame rectangular and you can mutually attach the logs.

The first layer of logs:



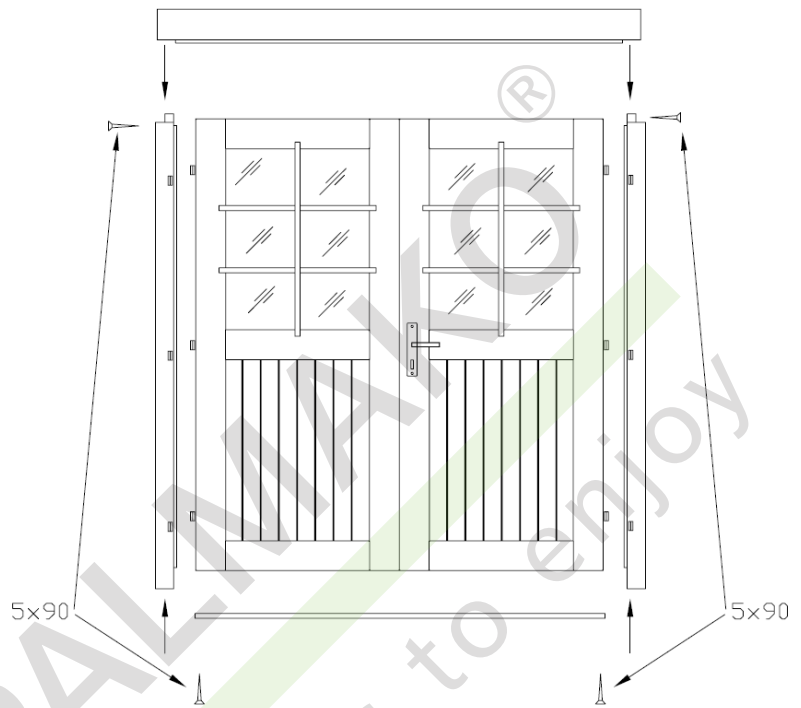
Continue the installation of the walls by strongly forcing the wall logs into one another. If necessary, use the hitting block and hammer. At the same time, do not forget to begin the installation of the door and windows. You should definitely begin the door installation after the 5th-6th layer of logs.

Door and window

Doorframe:

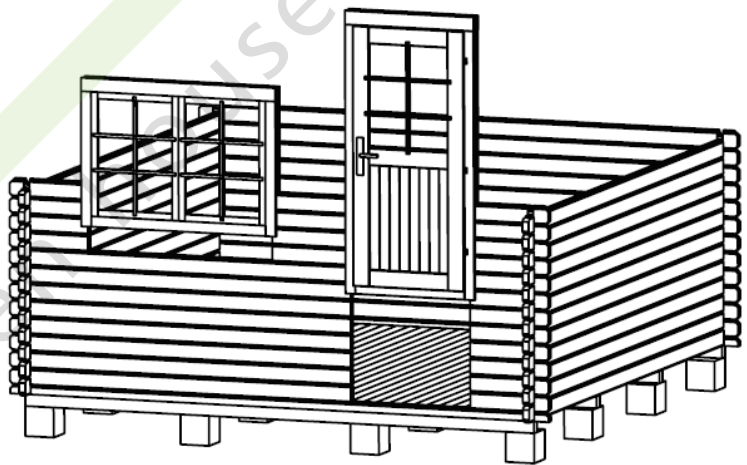
- If it is a double door, the doorframe is supplied in separate parts due to transportation requirements and you will have to begin by assembling it.
- To do this, place together the 4 parts of the frame and screw them onto one another.
- Make sure that the part of the frame with the deeper notch is installed upwards. The lateral jamb parts have hinges and are mirrored.
- It is recommended to install the leaves later.
- If it is a single door, its frame and leaf are supplied already assembled.

Doorframe installation (Only necessary for a double door!):



Door installation:

The doorframe is placed at the formed aperture and pushed with force onto the lower log. If it is a double door, place the leaves on the hinges now. To open and close the door, fit the separately packaged lock and handle.



Window installation:

Continue with the installation of the wall logs until you reach the window height. The wall plans (see Technical specifications) show how many logs go under the window. Install the window similarly with the door. Just like the door, push the window frame with the window into the window aperture onto the lower log, applying force. Make sure that the window is not fitted backwards (topsy-turvy).

ADVICE: Definitely make sure that the windows and doors open in the proper direction. The doors always open from the inside **to the outside**. The revolving-tilting windows open **to the inside**. The revolving and the slinging windows open **to the outside** (the window handles are on the inside).

ATTENTION: It is not necessary to fix the doors and windows to the wall logs! If you wish to do this, it will be sufficient to fix them with a couple of screws in the lower part of the frame because as they dry, the wall logs will begin subsiding.

You can conduct the final adjustments of the doors and windows only some 2-3 weeks after the house installation, when the house will have become adapted to weather conditions and its logs settled.

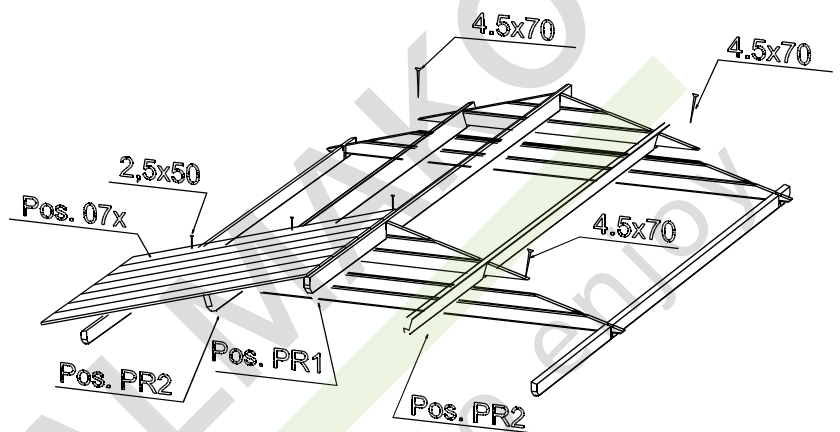
Apex

In most cases, the apex is supplied in one piece (attention: in some house options, the apex can comprise several parts! In this case, these parts will have to be screwed together prior to other actions). Having installed the last wall logs, place the apex on the front and back walls and attach them with screws.

The apexes have indents for the rafters. The rafters also have the corresponding indents, ensuring that the roof is placed firmly and in the right place.

Now place the rafters in the Installation of rafters: corresponding indents in the apexes.

Make sure that the upper wall log, apexes and rafters are level. Having fitted the rafters, screw them onto the apex from above.



ATTENTION: If the wall logs are not properly pressed on top of one another without gaps, the upper wall log may not be on the same level with the apexes. In this case you should tap the wall logs downwards as necessary or plane the apex or sidewall log somewhat lower.

Roof

Before installing the roof boards, make sure that the house is completely level. Use the water-level to check all walls.

ATTENTION: When placing the roof, use a stable ladder. Do not step on the roof as the structure is suitable to sustain only an even load (snow, wind, etc.), and not a point load!

Begin the installation of the roof boards **from the front edge of the roof**. Tap the boards lightly and attach them from above and below with nails to the rafters and upper wall log.

ATTENTION: Do not press the roof boards together too densely and you will avoid moisture-causing bulging! Leave an interval of about 1 mm between the boards to allow for swelling.

- During the whole process of installing the roof boards, make sure that their crest rafters coincide and the eave sides of the boards extend at a uniform distance. Verify this with a rope or the lateral eave lath that you may install for verification purposes.
- The roof boards must be even with the rafter ends in front and behind. If necessary, saw both last roof boards so narrow that they are even with the rafter ends.

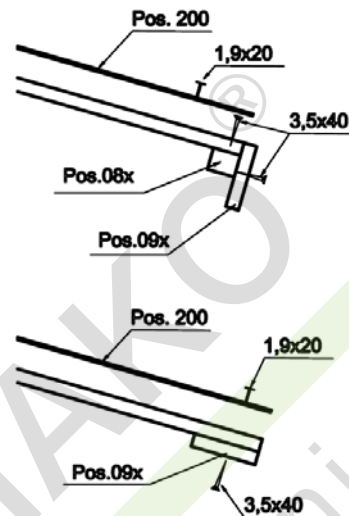
Installation manual

Having installed the roof boards, the roof felt and roof slats must be attached.

The table of components shows whether the roof cover material and slats are included with this house option!

First of all, screw the roof edge reinforcements and eave edgings under the roof board ends. Then install the roof cover material.

Installation of roof slats:

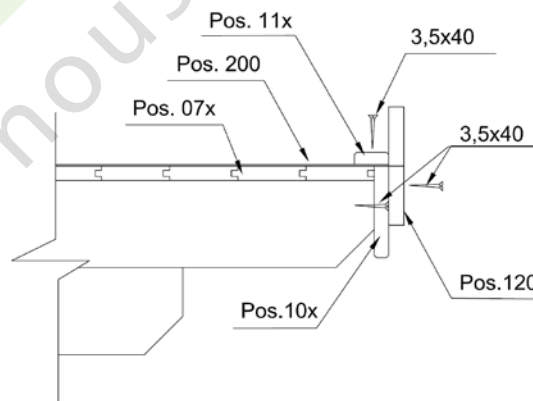


Roof cover material (NB! Some house options do not include it in the kit!)

Cut the roof felt in accordance with the roof length into suitable pieces and begin installing them parallel to the lower edge of the roof, moving toward the crest and placing the felt strips in the direction from the back wall to the front wall. The felt should extend from the edge by approximately 2-4 cm. Attach the roof felt to the roof boards with the supplied felt nails at intervals of about 15 cm. Make sure that the felt strips overlap by at least 10 cm.

Installation of wind braces and fascia boards:

Having installed the roof cover material, attach the wind braces to the roof and the fascia boards to the rafters and upper wall logs.



Floor

Only when the house is built completely you can install the floor boards, thus avoiding unnecessary smudging on the floor.

Place the floor boards on the base frame, tap them lightly against one another and then nail them with force to the foundation joists. If necessary, cut the last floor board to the suitable width.

The final operation is the fitting of the floor beadings to cover the spaces between the floor boards and walls. If necessary, cut the floor beadings to the suitable length.

ATTENTION: Depending on the climate at the house location, the floor boards can either swell or diminish. If the floor boards are very dry while the climate is damp, they will easily absorb moisture. In this case, the floor boards should not be attached very densely to avoid likely bulging. Leave some

Installation manual

space (1-2 mm) between the floor boards to allow for swelling. But if your climate is warm and dry, you can install the boards densely because they will become drier and spaces may appear between them.

Storm braces (NB! Not included in some house option kits!)

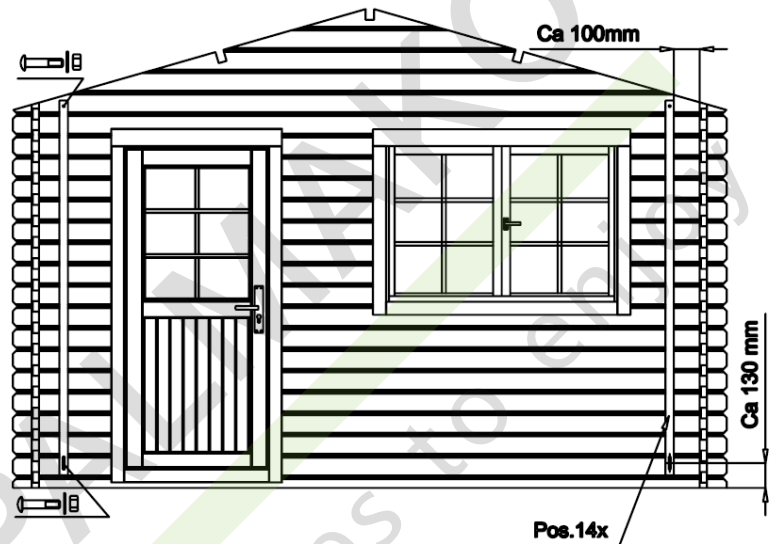
Attach the storm braces (if included in the supplied kit) to the inner sides of the front (2 units) and back (2 units) walls with the supplied bolts. It is important for the logs to be drilled through in advance. Please keep the distances indicated in the drawing so that no problems occur due to wood swelling or diminishing.

ADVICE: Make sure that the storm braces are attached to the apex log from above and to the middle of the first full-length wall log from below. If necessary, shorten the upper ends of the slats.

Do not turn the screws tightly so wood can further swell or diminish.

With the house having settled, you should adjust the attachments so the wall logs can settle.

Installation of storm braces:



General advice:

Problem: *Gaps appear between the wall logs*

Cause: Additional details are attached to the house that do not allow wood to swell/diminish.

Solutions: If the door/window is attached to the wall logs with screws/nails, remove these screws/nails;
If the storm brace is screwed on too tightly, loosen its attachment;
If (rain water) pipes are installed on the wall, loosen their attachments;

Problem: *The doors and windows become stuck.*

Cause: The house/foundation has settled.

Solution: Check whether the house is level. Level the foundation joists and walls.

Cause: The doors and windows have swelled due to moisture.

Solution: Adjust the door and window hinges; if necessary, plane the door or window narrower.



We wish you total success with the garden house installation and much joy with this house for many years to come!

I. Generelles



Sehr geehrter Kunde,

es freut uns, dass Sie sich für unser Gartenhaus entschieden haben!

Es ist wichtig, diese Aufbauanleitung vollständig durchzulesen, bevor Sie mit dem Aufbau Ihres Blockhauses beginnen! So vermeiden Sie Probleme und unnötigen Zeitverlust.

Tipps:

- Lagern Sie den Bausatz bis zur endgültigen Montage trocken und nicht direkt auf dem Erdboden, geschützt vor Witterungseinflüssen (Nässe, Sonneneinwirkung, etc.). Ware bitte nicht in einem geheizten Raum aufbewahren!
- Achten Sie bei der Standortwahl darauf, dass das Blockhaus nicht extremen Witterungsbedingungen (Gebiete mit starkem Wind) ausgesetzt ist, gegebenenfalls sollten Sie das Blockhaus zusätzlich mit dem Fundament verankern.



Gewährleistung

Ihr Haus besteht aus hochwertigem nordischen Fichtenholz und wird unbehandelt geliefert. Wenn es trotz unserer sorgfältigen Werkskontrolle zu Reklamationen kommen sollte, legen Sie Ihrem Fachhändler den ausgefüllten Kontrollschein mit Ihrer Einkaufsrechnung vor!

WICHTIG: Bitte unbedingt die Dokumentation aufbewahren! Auf dem Kontrollschein finden Sie die Kontrollnummer des Hauses. Es ist möglich die Reklamation nur dann als Garantiefall zu behandeln, wenn Sie die Kontrollnummer Ihrem Fachhändler weitergeben!

Abweichungen die keinen Reklamationsgrund darstellen:

- Holz ist ein Naturprodukt, daher gehören die naturgegebenen Beanstandungen nicht unter Garantie.
- Materialreklamationen werden nicht akzeptiert, wenn bereits ein Anstrich erfolgte!
- Äste die mit dem Holz fest verwachsen sind.
- Holzverfärbungen, ohne das dadurch die Lebensdauer beeinflusst wird.
- Risse /Trockenrisse die nicht durchgehend sind und nicht die Konstruktion beeinflussen.
- Verdrehungen des Holzes vorausgesetzt es lässt sich noch verarbeiten.
- An den nicht sichtbaren Seiten von Dach- und Fussbodenbrettern können die Bretter ungehobelt sein, es können Farbunterschiede und Baumkanten vorkommen.
- Spätere Reklamation durch unsachgemässe Montage, Absacken des Hauses durch unsachgemässe Fundamente und Gründungen sind ausgeschlossen.
- Eigene Veränderungen am Haus wie z.B. Verzug von Bohlen und Fenstern/Türen durch fehlenden Holzanstrich oder Aufbau, die zu starre Befestigung der Sturmleiste, Verschrauben der Türrahmen mit den Blockbohlen usw., sind ausgeschlossen.

Ansprüche auf Gewährleistung beschränken sich auf den Austausch von fehlerhaftem Material. Alle weiteren Ansprüche sind ausgeschlossen!



Anstrich und Pflege

Holz ist ein Naturprodukt und arbeitet unterschiedlich. Merkmale wie grobe und feine Maserungen, Farbschattierungen und Veränderungen sowie Verwachsungen haben Ihren Ursprung im Wuchs des Baumes. Sie sind bei Hölzern, die in der freien Natur wachsen, normal und deshalb nicht als Fehler, sondern vielmehr als Eigentümlichkeit des Naturwerkstoffes Holz anzusehen.

Das unbehandelte Holz (ausser Lagerhölzer) wird nach einiger Zeit vergrauen, kann verbläuen und verschimmeln. Um ihr Blockhaus zu schützen, sollten Sie es mit geeigneten Holzschutzmitteln behandeln.

Um Ihr Gartenhaus optimal zu schützen, empfehlen wir die Bodenbretter vorgängig mit einer farblosen Grundierung zu behandeln. Besonders die Unterseite, welche nach der Montage nicht mehr zu erreichen ist. Nur auf diese Weise wird das Eindringen der Feuchtigkeit verhindert.

Wir empfehlen unbedingt auch Türen und Fenster mit einer Grundierung zu behandeln. Es ist sehr wichtig sowohl die Innen- als auch die Aussenseiten der Türen und Fenster auf einmal zu streichen! Andernfalls können sie sich verziehen.

Nach dem Aufbau empfehlen wir Ihnen die Aussenhaut (ohne Dach) zu Grundieren, sobald diese trocken ist sollten Sie das Haus mit einer Holzlasur streichen, die das Holz vor Feuchtigkeit und UV-Strahlung schützt.

Beim Anstrich benutzen Sie hochwertiges Werkzeug und Farbe, beachten Sie die Sicherheits- und Verarbeitungshinweise des Farbenherstellers. Streichen Sie nie in praller Sonne oder beim regnerischen Wetter. Lassen Sie sich ausführlich bei Ihrem Fachhändler über den Holzschutz für unbehandelte Nadelhölzer beraten.

Durch einen regelmässigen Anstrich beeinflussen Sie im Wesentlichen die Lebensdauer Ihres Gartenhauses. Wir empfehlen Ihnen auch eine halbjährliche Inspektion des Gartenhauses.

II. Vorbereitung zur Aufbau

Werkzeuge und Vorbereitung der Details

Beim Aufbau brauchen Sie Folgendes:



Montagehelfer



Stehleiter



Hammer



Wasserwaage



Schraubenzieher



Säge



Messer



Bandmass



Zange



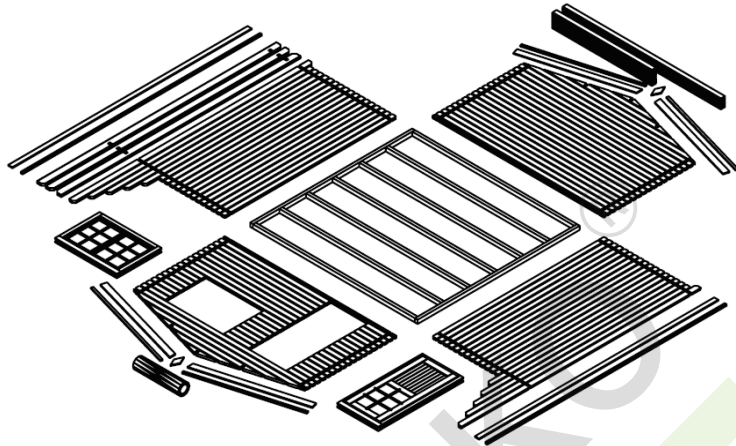
Bohrer

HINWEIS: Um Verletzungen durch eventuelle Holzsplitter zu vermeiden, tragen Sie bitte während der Montage entsprechende Schutzhandschuhe.

Vorbereitung der Details:

Sortieren Sie das Material und legen es an den vier Seiten des Hauses entsprechend der Reihenfolge des Aufbaus bereit.

WICHTIG: Legen Sie die Hölzer nie direkt auf die Rasenfläche oder in den Schmutz, da sich die Hölzer später nur schwer oder gar nicht säubern lassen!



Fundament

Das Wichtigste für die Sicherheit und Haltbarkeit Ihres Hauses ist ein gutes Fundament. Nur ein absolut waagerechtes und tragfähiges Fundament gewährleistet eine einwandfreie Montage der Blockbohlen, Stabilität und vor allem Passgenauigkeit der Türen. Mit einem guten Fundament hält Ihr Blockhaus viele Jahre länger.

Fertigen Sie das Fundament so, dass die Oberkante mindestens 5 cm über die Bodenfläche hinausragt, damit Ihr Haus besser vor Feuchtigkeit geschützt ist. Bitte beachten Sie dabei auch, dass das Haus später ausreichend unterlüftet wird.

Wir machen folgende Fundamentvorschläge:

- Streifen- oder Punktfundament
- Beton- bzw. Gehwegplattenfundament
- geschüttetes Betonfundament

Bereiten Sie das Fundament so vor, dass die Lagerhölzer überall im Abstand von max. 50-60 cm gestützt sind.

Lassen Sie sich ggf. von einem Fachmann beraten bzw. lassen Sie das Fundament von einem Fachmann erstellen.

III. Aufbau

WICHTIG:

- Im Paket finden Sie eine Zusatzbohle (längste Wandbohle).
- Im Paket finden Sie auch ein Zusatzbrett (längstes Dach- bzw. Fussbodenbrett).
- Im Paket sind auch 2-3 gekennzeichnete Schlaghölzer zur Montagehilfe (ca. 20-30 cm langes Bohlenprofil).

Alle obengenannten Teile sind **NICHT** in der Stückliste aufgelistet.

- Auf den Abbildungen sind die Teile mit dreistelligen Positionen bezeichnet. Die genauen Positionen dieser Teile, deren 3. Stelle auf der Abbildung mit „x“ bezeichnet sind, finden Sie in der Stückliste.

Lagerhölzer

Die Lagerhölzer müssen absolut in der Waage und plan liegen, um eine einwandfreie Montage zu gewährleisten.

ACHTUNG: Der Fundamentplan kann bei verschiedenen Hausmodellen abweichen. Bitte beachten sie den beigefügten Fundamentplan (Siehe Technische Daten)!

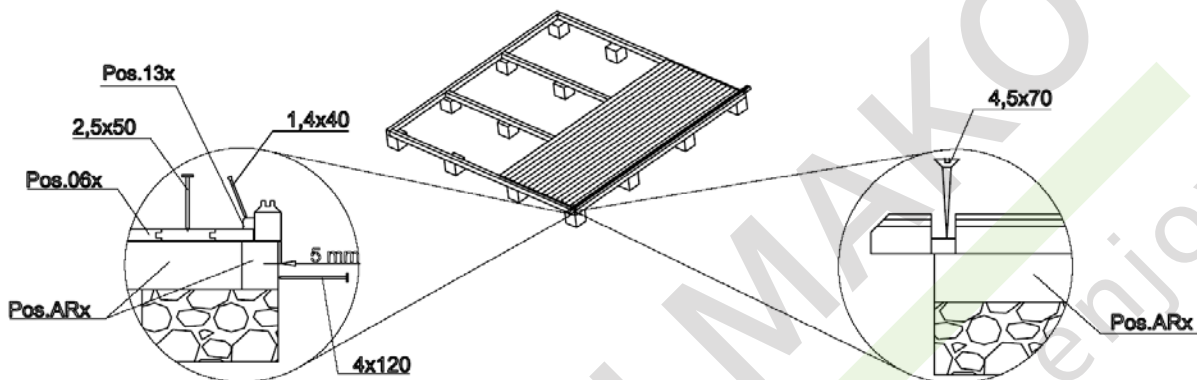
Aufbauanleitung – Deutsch

Legen Sie die imprägnierten Lagerhölzer in etwa gleichem Abstand zueinander auf das vorbereitete Fundament (siehe Fundamentplan in Technischen Daten). Achten Sie darauf, dass die Lagerhölzer in Waage sind und im rechten Winkel liegen, bevor sie zusammengeschaubt werden.

HINWEIS: Es ist empfehlenswert, zwischen die Lagerhölzer und das Fundament eine Feuchtigkeitssperre zu legen, die vor Nässe und Fäulnis schützt.

HINWEIS: Es ist auch zu empfehlen, die Lagerhölzer mit dem Fundament zu verankern. (Verwenden Sie dafür z.B. Stahlwinkel, Betonanker o. Ä.) Dieses Material gehört nicht zum Lieferumfang!

Montage der Lagerhölzer:



Wände

Beim Aufbau der Wände ist es wichtig zu wissen:

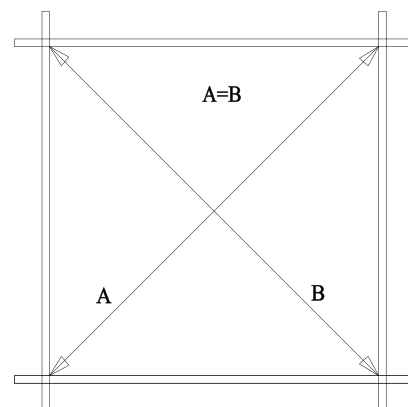
- Die Wandbohlen werden immer mit der Feder nach oben zeigend zusammengesteckt!
- Beim Bedarf benutzen Sie das Schlagholz und den Hammer! Nie mit dem Hammer direkt auf die Feder schlagen!

Die Wandpläne (Siehe Technische Daten) zeigen Ihnen den Aufbau der Wände.

Als erstes verlegen Sie die halben Bohlen der Vorder- und Rückwand und befestigen Sie sie mit Schrauben an die Lagerhölzer. Danach legen Sie die Seitenwandbohlen in ihre Position. Hierbei beachten Sie, dass der erste Bohlenkranz etwas über den Lagerhölzern steht: die Bohlen sollten ca. 3-5 mm über den Lagerhölzern überstehen. Dies ergibt eine Tropfkante und schützt vor Nässe.

WICHTIG: Nach dem ersten Bohlenkranz, die Diagonale messen und gegebenenfalls neu ausrichten! Nur, wenn die Diagonalmasse millimetergenau übereinstimmen, ist der Rahmen im Winkel und Sie können diesen dann auf einander befestigen. Beim Bedarf neu ausrichten.

Bohlenkranz



Fahren Sie fort indem Sie die nächsten Bohlen fest ineinander stecken. Beim Bedarf verwenden Sie das Schlagholz und den Hammer. Vergessen Sie aber auch nicht, mit der Montage der Fenster und Tür zu beginnen.

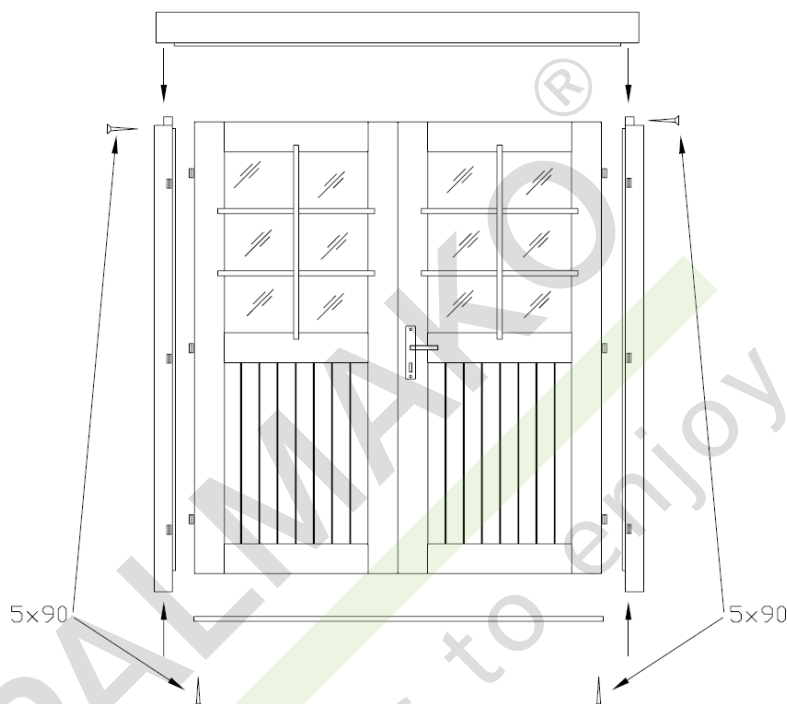
Den Einbau der Tür sollten Sie unbedingt schon nach der 5.-6. Bohlenschicht vornehmen.

Tür und Fenster

Türrahmen:

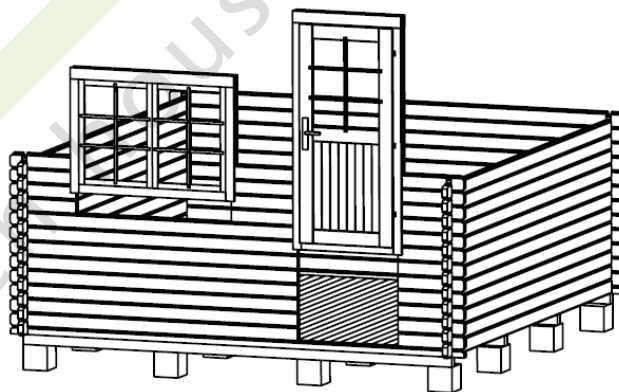
- Bei der Doppeltür werden die Rahmenteile aus Transportgründen lose geliefert und müssen zuerst zusammenmontiert werden.
- Hierzu fügen Sie die vier Rahmenhölzer der Doppeltür zusammen und verschrauben Sie diese.
- Beachten Sie, dass das Rahmenteil mit den tieferen Rahmenausfräsungen an die obere Seite der Tür kommt. Die seitlichen Rahmenteile sind mit Scharnieren und spiegelbildlich.
- Es ist empfehlenswert, die Türenblätter erst später einzuhängen.
- Bei der Einzeltür sind die Rahmenteile und das Türblatt schon zusammenmontiert.

Montage der Türrahmen (Nur bei Doppeltür nötig!):



Montage der Tür:

Der Rahmen wird von oben in die entstandene Öffnung geschoben und fest auf die unterste Bohle gedrückt. Bei einem Haus mit Doppeltür hängen Sie nun die Türblätter ein. Montieren Sie nun die separat verpackten Türgriffe, so dass Sie die Tür öffnen können.



Montage der Fenster:

Fahren Sie fort, die Wände hochzuziehen, bis Sie zur Fensterhöhe gelangen. Aus den Wandplänen (siehe Technische Daten) wird ersichtlich, wie viele Bohlen unter den Fenstern sind. Beim Einsetzen der Fenster verfahren Sie genauso wie bei der Tür. Schieben Sie den Fensterrahmen mit dem Fenster über die Bohlen und drücken Sie diesen ganz fest auf die untere Bohle. Achten Sie darauf, dass das Fenster nicht auf dem Kopf stehend eingebaut wird.

HINWEIS: Bei den Fenstern und Türen bitte unbedingt auf die Einbaurichtung achten. Die Türen gehen immer vom Innenraum des Hauses **nach aussen** auf. Die Dreh-Kipp-Fenster gehen **nach innen** auf. Die Hänge- und Drehfenster gehen **nach aussen** auf (Fenstergriffe sind innerhalb des Hauses).

WICHTIG: Es ist nicht nötig, die Tür und Fenster an die Wandbohlen zu befestigen. Wenn sie es wünschen, dann befestigen Sie diese mit ein oder zwei Schrauben nur im unteren Bereich der Rahmen, damit die Wandbohlen sich beim Trocknen setzen können.

Das endgültige Einstellen der Tür kann erst in ca. 2 bis 3 Wochen erfolgen, nachdem das Holz sich dem Klima angepasst hat und die Wandbohlen sich gesetzt haben.

Giebel

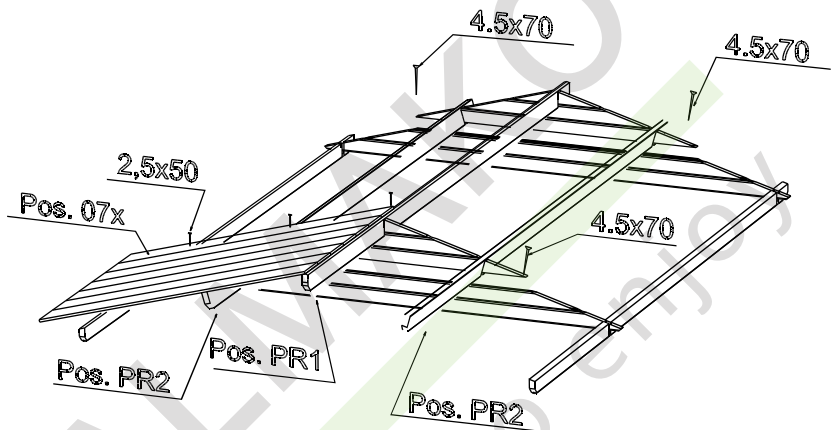
Das Giebeldreieck besteht meistens aus einem Stück. (Achtung: Das Giebeldreieck kann modellbezogen auch mehrteilig sein! In diesem Fall müssen die Teile zuerst miteinander verschraubt werden.) Nachdem die letzten Wandbohlen montiert sind, werden die Giebeldreiecke auf die Vorder- und Rückwand aufgesetzt und mit den Schrauben befestigt.

In den Giebeldreiecken sind Aussparungen, worin die Dachpfetten eingelassen werden. In den Pfetten sind ebenfalls Aussparungen, so wird ein Verrutschen des Daches verhindert.

Fügen Sie nun die Pfetten, in die dafür vorgesehenen Ausschnitte der Giebel ein.

Montage der Dachpfetten:

Prüfen Sie, ob die Verbindungsstellen zwischen Giebel, obersten Wandbohlen und Dachpfetten eine plane Fläche bilden. Nachdem die Pfetten eingepasst wurden, werden diese von oben mit dem Giebel verschraubt



WICHTIG: Wenn die Oberseiten der Pfetten mit dem Giebel nicht bündig abschliessen, sollten Sie entsprechend die Wandbohlen nach unten klopfen oder den Giebel bzw. die Seitenwandbohle etwas nachhobeln.

Dach

Vor dem Verlegen der Dachbretter ist darauf zu achten, dass das Haus hundertprozentig in Waage steht. Überprüfen Sie mittels einer Wasserwaage alle 4 Seitenwände.

WICHTIG: Der Dachbelag darf nur über eine standfeste Leiter aufgebracht werden. Das Dach darf nicht betreten werden, da die Konstruktion für eine Gesamtbelastung (Schnee, Wind etc.) ausgelegt ist und nicht für eine Punktbelastung.

Beginnen Sie mit dem Verlegen der Dachbretter von der Vorderseite des Hauses. Klopfen Sie die einzelnen Bretter leicht zusammen und vernageln Sie diese oben und unten an die Dachpfetten und an die oberste Wandbohle.

WICHTIG: Beachten Sie bitte, dass die Dachbretter nicht zu dicht aneinander befestigt werden, damit durch Feuchtigkeit verursachte eventuelle Aufwölbungen vermieden werden. Lassen Sie ca. 1 mm Abstand zwischen den einzelnen Brettern, damit das Holz noch etwas arbeiten kann.

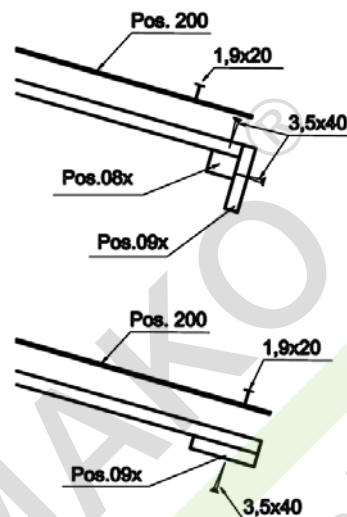
- Achten Sie beim gesamtem Dach auf absolute Parallelität der Traufenkanten bei gleichbleibendem Überstand und gleichmässiger Auflage auf der Firstpfette. Dieses prüfen Sie bitte mit einer Schnur oder dem seitlichen Traufenbrett, welches Sie zur Kontrolle anlegen.
- Die Dachbretter müssen vorne und hinten mit den Dachpfetten bündig abschliessen. Beim Bedarf die letzten Dachbretter entsprechend schmaler sägen.

Wenn die Dachbretter verlegt sind, müssen Dachpappe und Dachabschlussleisten angebracht werden.

Ob Dacheindeckung und -abschlussleisten zum Lieferumfang gehören, finden Sie in der Stückliste.

Zuerst schrauben Sie die Dachrandverstärkungen und Dachrandleisten unter die Enden der Dachbretter (Falls im Lieferumfang). Danach verlegen Sie die Dachpappe.

Montage der Dachleisten:

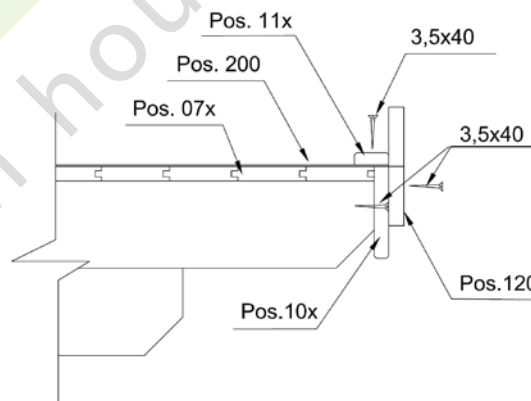


Dachpappe (Falls im Lieferumfang)

Schneiden Sie für die Dacheindeckung die Bahnen entsprechend der Dachlänge von der mitgelieferten Dachpappe ab. Beginnen Sie mit der Befestigung der Bitumenbahnen an der unteren Seite des Daches, indem Sie die Bahnen längs von der Hinter- zur Vorderwand verlegen. Lassen Sie die erste Bahn seitlich ca. 2-4 cm überstehen (Tropfkante). Befestigen Sie die Dachpappe mit gelieferten Dachpappenstiften ca. 15 cm Abstand. Beachten Sie bei der Anbringung der nächsten Lagen, dass diese mindestens 10 cm über die vorherige Lage überlappen.

Montage der Windbretter und Giebelblenden:

Nach dem Einlegen der Dachpappe erfolgt die Montage der Windbretter und die Befestigung der Giebelblenden an die Pfetten und obersten Wandbohlen.



Fussboden

Erst wenn das Haus komplett aufgebaut wurde, erfolgt das Verlegen der Fussbodenbretter, dadurch vermeiden Sie eine unnötige Verschmutzung des Fussbodens.

Legen Sie die Fussbodenbretter auf die Lagerhölzer, klopfen Sie diese leicht zusammen und befestigen Sie diese danach fest mit den Nägeln auf die Lagerhölzer. Beim Bedarf die letzten Bretter durch Schneiden anpassen.

Zum Abschluss wird im Innenraum die Verleistik für den Fussboden angebracht, um evtl. Fugen an den Wänden abzudecken. Die Leisten müssen ggf. durch Zuschnitt eingepasst werden.

WICHTIG: Aufgrund der unterschiedlichen klimatischen Verhältnisse, wo das Haus aufgestellt ist, können auch Fussbodenbretter unterschiedlich arbeiten. Wenn die Fussbodenbretter sehr trocken sind, das Klima aber

feucht, nehmen sie leicht Feuchtigkeit auf. Deswegen ist es ratsam, die Bretter nicht zu dicht nebeneinander zu befestigen, dadurch können Sie eventuelle Aufwölbungen vermeiden. Lassen Sie ca. 1-2 mm Abstand zwischen den einzelnen Brettern, damit das Holz arbeiten kann. Wenn das Klima aber heiss und trocken ist, können Sie die Bretter dicht nebeneinander legen, denn sie trocknen noch mehr aus und es entstehen Spalten zwischen den Brettern.

Sturmleisten (Falls im Lieferumfang!)

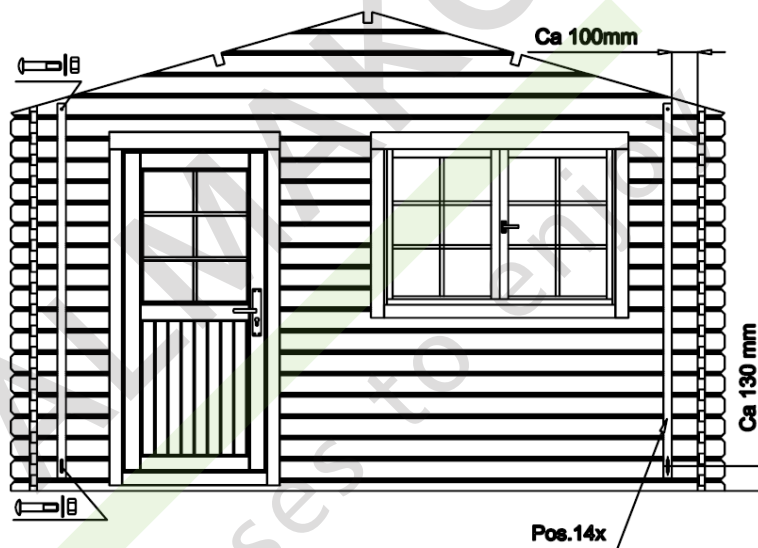
Die Sturmleisten müssen im Innenraum mit den mitgelieferten Schlossschrauben an die Vorder- (2 St.) und Rückwand (2 St.) montiert werden. Hierfür ist es erforderlich, die Bohlen vorher zu durchbohren. Bitte beachten Sie hier die auf der Zeichnung gegebenen Abstände, damit es später keine Probleme mit dem Arbeiten des Holzes gäbe.

HINWEIS: Beachten Sie, dass die Sturmleisten oben an die Giebelbohle und unten in der Mitte der ersten ganzen Wandbohle befestigt werden. Beim Bedarf schneiden Sie die Leisten von der oberen Seite kürzer.

Die Schlossschrauben dürfen nur Handfest angezogen werden, damit das Holz weiterhin arbeiten kann.

Wenn das Haus sich gesetzt hat, müssen die Befestigungen reguliert werden, damit die Wandbohlen sich nach unten setzen könnten.

Montage der Sturmleisten:



Allgemeine Tipps:

Problem: *Es entstehen Spalten zwischen den Bohlen.*

Ursache: Es sind zusätzliche Details an den Wänden angebracht, die das Verarbeiten des Holzes verhindern.

Lösung: Wenn Fenster/Tür mit Schrauben/Nägeln an die Wandbohlen befestigt sind, sie entfernen;
Wenn die Sturmleisten zu fest an die Bohlen geschraubt sind, sie flexibel montieren;
Wenn eine (Wasser)Leitung an der Wand montiert ist, die Befestigungen flexibler montieren;

Problem: *Fenster und Türen klemmen*

Ursache: Das Haus/Fundament hat sich gesenkt

Lösung: Überprüfen, ob das Haus in Waage steht. Lagerhölzer und Wände wieder in einen waagerechten Zustand bringen.

Ursache: Fenster und Türen sind wegen der Feuchtigkeit geschwollen

Lösung: Die Tür-/Fensterscharniere regulieren; beim Bedarf die Tür/Fenster schmaler hobeln



Wir wünschen Ihnen nun viel Spass und Erfolg beim Aufbau und jahrelange Freude mit Ihrem Gartenhaus!

I. Généralités



Cher client,

Nous sommes heureux que votre choix se soit porté sur notre maison de jardin!

Il est important de lire entièrement cette notice de montage avant de commencer la construction de votre maisonnette en poutres! Vous vous éviterez ainsi des problèmes et des pertes de temps inutiles.

Conseils:

- Avant son montage définitif, entreposez le kit de construction au sec et pas directement sur la terre, en le protégeant contre les intempéries (humidité, rayonnement du soleil, etc.). Ne pas conserver la marchandise dans un local chauffé!
- Au moment de choisir l'endroit de montage, veillez à ce que la maisonnette en poutres ne soit pas exposée à des conditions atmosphériques extrêmes (zones exposées à des vents forts). Le cas échéant, il serait bon d'ancrer la maisonnette en poutres dans des fondations.



Garantie

Votre maisonnette est réalisée en bois d'épicéa nordique de haute qualité et elle vous est livrée non traitée. Si elle devait donner lieu à des réclamations, malgré les soins apportés à notre contrôle en usine, nous vous demandons de remettre à votre revendeur spécialisé le bon de contrôle rempli et votre facture d'achat!

IMPORTANT: Veuillez impérativement conserver la documentation! Vous trouverez sur le bon de contrôle le numéro de contrôle de la maisonnette. La réclamation ne peut être traitée dans le cadre de la garantie que si vous communiquez le numéro de contrôle à votre revendeur spécialisé!

Ecarts qui ne constituent pas un motif de réclamation:

- Le bois est un produit naturel, ce qui fait que les réclamations reposant sur des phénomènes naturels ne tombent pas sous le coup de la garantie.
- Les réclamations concernant les matériaux ne sont pas acceptées si une peinture a déjà été appliquée!
- Nœuds qui sont inhérents au bois.
- Décolorations du bois qui n'exercent pas d'influences sur la durée de vie.
- Fissures / fentes de retrait qui ne sont pas traversantes et qui n'exercent pas d'influences sur la construction.
- Déformations du bois, sous réserve qu'il puisse encore être mis en œuvre.
- Sur les faces non visibles des planches du toit et du plancher, il se peut que les planches ne soient pas rabotées, on peut observer des différences de couleur et des flaches.
- Une réclamation tardive résultant d'un montage incorrectement réalisé, d'un affaissement de la maisonnette par suite de fondations et de soubassements incorrectement réalisés, est exclue.
- Une réclamation suite à des modifications apportées de son propre chef à la maisonnette, comme par exemple une déformation des madriers et des fenêtres/portes par suite d'une peinture du bois ou d'une construction insuffisantes, la fixation trop rigide du contreventement, le vissage des dormants sur les madriers, etc., est exclue.

Les recours en garantie se limitent au remplacement du matériel défectueux. Tous les autres recours sont exclus!



Peinture et entretien

Le bois est un produit naturel qui travaille de façon variable. Des caractéristiques telles que les madures grossières et fines, les nuances de couleurs et les modifications, de même que les imbrications, ont leur origine dans la croissance du bois. Dans le cas de bois qui poussent en pleine nature, ces caractéristiques sont normales et ne doivent par conséquent pas être considérées comme des défauts mais, au contraire, comme une particularité de ce matériau naturel qu'est le bois.

Au bout de quelque temps, le bois non traité (à l'exception des longrines) prendra une teinte grise, il pourra bleuir et moisir. Pour protéger votre maisonnette en poutres, il convient que vous le traitiez avec des produits de protection du bois appropriés.

Pour protéger votre maison de jardin de façon optimale, nous vous conseillons de traiter préalablement les planches du plancher à l'aide d'un apprêt incolore. En particulier la face inférieure à laquelle vous ne pourrez plus avoir accès après le montage. Ce n'est que de cette façon que l'on empêche l'humidité de pénétrer.

Nous conseillons de traiter impérativement les portes et les fenêtres également à l'aide d'un apprêt. Il est très important de peindre en une seule fois aussi bien les faces intérieures que les faces extérieures des portes et des fenêtres! Dans le cas contraire, elles pourront se déformer.

Une fois le montage effectué, nous vous conseillons de revêtir l'extérieur (sans le toit) d'un apprêt. Dès que cet apprêt sera sec, vous devrez revêtir votre maison d'un glaciis pour bois qui protégera le bois contre l'humidité et le rayonnement ultraviolet.

Pour la peinture, n'utilisez qu'un outillage et une peinture de haute qualité, et respectez les consignes de sécurité et de mise en œuvre du fabricant de peintures. Ne peignez jamais en plein soleil ou lorsque le temps est à la pluie. Faites-vous conseiller de façon détaillée par votre revendeur spécialisé quant à la protection à utiliser pour les conifères non traités.

En refaisant régulièrement la peinture, vous augmentez sensiblement la durée de vie de votre maison de jardin. Nous vous conseillons également une inspection semestrielle de votre maison de jardin.

II. Préparation au montage

Outils et préparation des détails

Pour le montage, vous avez besoin du matériel suivant:



une personne pour vous aider au montage



échelle double



marteau



niveau à bulle d'air



tournevis



scie



couteau



mètre-ruban



pince



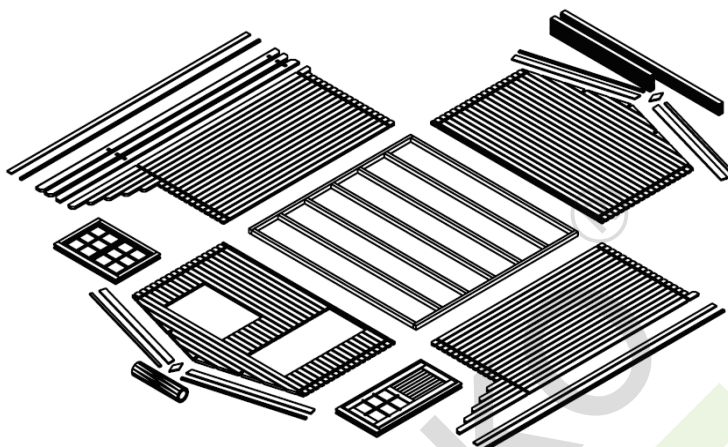
foret

REMARQUE: Pour éviter les blessures provoquées par d'éventuels éclats de bois, nous vous demandons de porter des gants de protection correspondants lors du montage.

Préparation des détails:

Classez le matériel et déposez-le sur les quatre côtés de la maison, conformément à l'ordre de montage.

IMPORTANT: Ne déposez pas les bois directement sur le gazon ou dans la saleté, car les bois seront alors difficiles, voire impossibles à nettoyer plus tard!



Fondations

Le plus important, pour la sécurité et la stabilité de votre maison, ce sont de bonnes fondations. Seules des fondations parfaitement horizontales et solides garantissent un montage parfait des madriers, la stabilité et, en particulier, la précision d'ajustement des portes. Des fondations de qualité prolongent la durée de vie de votre maisonnette en poutres de beaucoup d'années.

Réalisez les fondations de façon à ce que le bord supérieur dépasse d'au moins 5 cm de la surface du sol, afin que votre maison soit mieux protégée contre l'humidité. Veuillez également noter que, plus tard, la maison sera ainsi suffisamment ventilée par dessous.

Nous vous proposons les fondations suivantes:

- Semelle filante ou fondations ponctuelles
- Fondations en béton ou fondations en dalles de ciment
- Fondations coulées en béton

Préparez les fondations de façon à ce que les longrines prennent partout appui à un écartement de max. 50-60 cm.

Faites-vous le cas échéant conseiller par un spécialiste ou faites réaliser les fondations par un spécialiste.

III. Montage

IMPORTANT:

- Dans l'emballage, vous trouverez un madrier supplémentaire (le madrier mural le plus long).
- Dans l'emballage, vous trouverez également une planche supplémentaire (la planche la plus longue pour le toit ou pour le sol).
- Nous vous envoyons également, dans l'emballage, 2 à 3 battes marquées comme telles pour vous aider dans le montage (un profilé de madrier d'une longueur de 20 à 30 cm environ).

Toutes les pièces mentionnées ci-dessus **NE SONT PAS** énoncées dans la liste de pièces.

- Les pièces sont identifiées, sur les illustrations, par des positions à trois chiffres. Les positions précises de ces pièces dont le troisième chiffre dans l'illustration est un « x », peuvent être repérées dans la liste des pièces.

Longrines

Les longrines doivent être parfaitement de niveau et planes, afin de garantir un montage parfait.

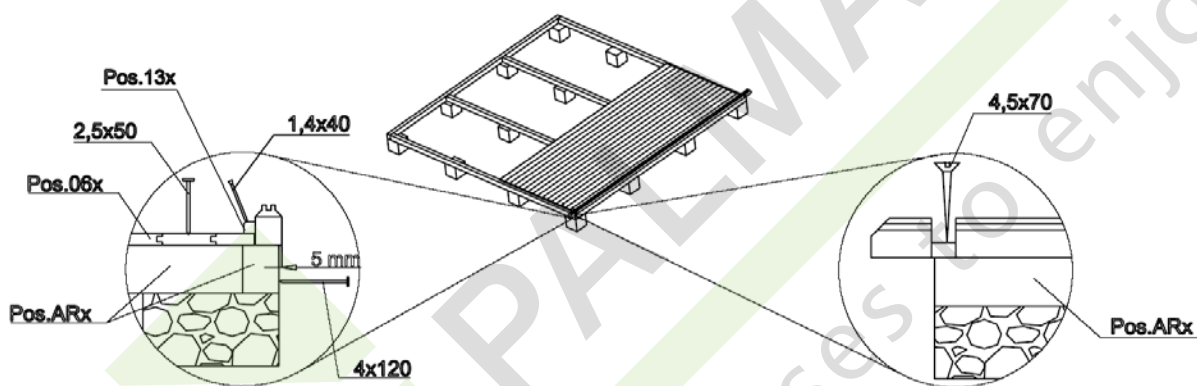
ATTENTION: Le plan de fondations peut être différent en fonction des modèles de maisons. Veuillez vous reporter au plan de fondations ci-joint (voir Caractéristiques techniques)!

Posez les longrines imprégnées sur les fondations préparées, en respectant à peu près le même écartement entre les longrines (voir plan de fondations dans les Caractéristiques techniques). Veillez à ce que les longrines soient de niveau et à angles droits, avant qu'elles ne soient assemblées par vissage.

REMARQUE: Il est conseillé de placer, entre les longrines et les fondations, une barrière d'humidité qui protégera contre l'humidité et la putréfaction.

REMARQUE: Il est également conseillé d'ancrer les longrines dans les fondations. (A ces fins, utilisez par exemple des cornières en acier, des ancrages pour béton, ou autres). Ce matériel ne fait pas partie de l'étendue de la fourniture!

Montage des longrines:



Parois

Lors du montage des parois, il est important de savoir ceci:

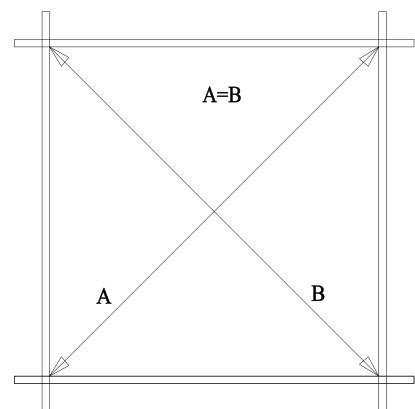
- Les madriers des parois s'emboîtent toujours ressort tourné vers le haut!
- En cas de besoin, utilisez la planche à frapper et le marteau! Ne jamais frapper directement sur le ressort avec le marteau!

Les plans des parois (voir partie: Caractéristiques techniques) vous montrent le montage des parois.

En premier, posez les demi-madriers de la paroi avant et de la paroi arrière, et fixez-les à l'aide de vis sur les longrines. Placez ensuite les madriers des parois latérales dans leur position. A cet égard, veillez à ce que la première couronne de madriers soit un peu au-dessus des longrines: les madriers doivent dépasser d'environ 3-5 mm des longrines. Ceci donne un bord d'égouttement et protège contre l'humidité.

IMPORTANT: Après la première couronne de madriers, mesurer la diagonale et la réajuster le cas échéant! Ce n'est que lorsque les cotes de diagonale correspondent au millimètre près que les cadres sont à l'équerre et que vous pouvez alors les fixer les uns sur les autres. Réajuster si nécessaire.

Couronne de madriers



Continuez en emboîtant fermement les madriers suivants les uns dans les autres. En cas de besoin, utilisez la planche à frapper et le marteau. Cependant, n'oubliez également pas de commencer par le montage des fenêtres et de la porte.

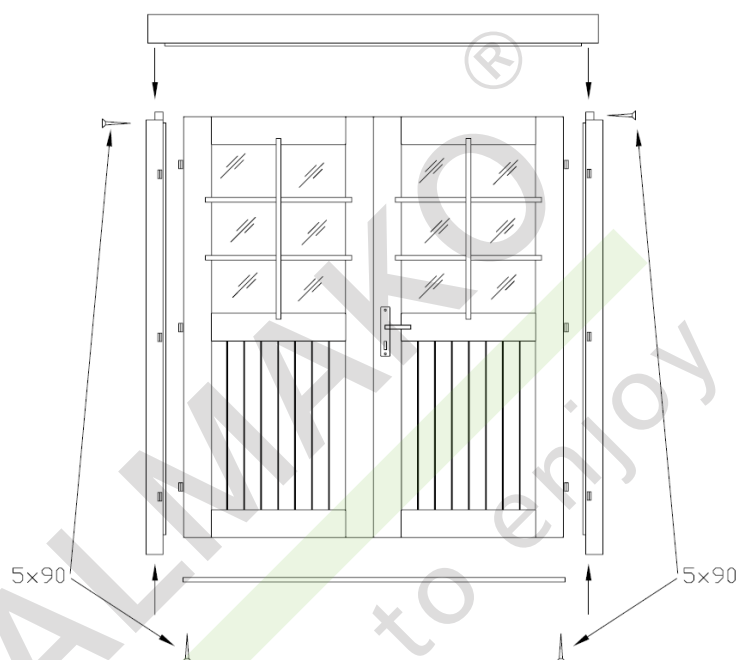
Vous devez impérativement procéder au montage de la porte après avoir posé la 5e - 6e couche de madriers.

Porte et fenêtres

Dormants:

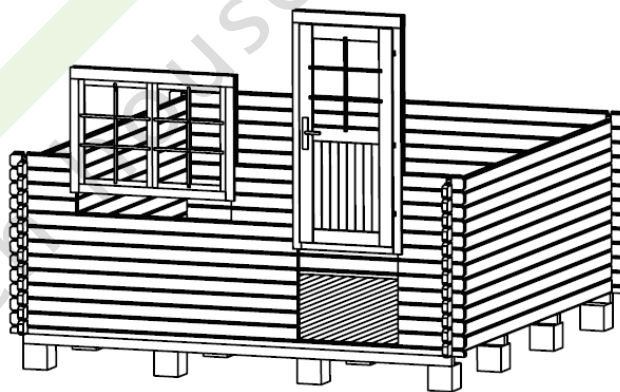
- Dans le cas de la porte double, les éléments du dormant sont livrés détachés, pour des raisons de transport, et il faut commencer par les assembler.
- A ces fins, assemblez les quatre bois du dormant de la porte double, et vissez-les.
- Veuillez noter que la partie du dormant comportant les fraises profondes vient contre le côté supérieur de la porte. Les éléments latéraux du dormant comportent des charnières et ils sont symétriques.
- Il est conseillé de n'accrocher que plus tard les vantaux de la porte.
- Dans le cas de la porte simple, les éléments du dormant et le vantail sont déjà assemblés.

Montage des dormants (nécessaire seulement dans le cas d'une porte double!):



Montage de la porte:

On introduit le dormant par dessus dans l'ouverture créée, et on le repousse en butée contre le madrier se trouvant tout en bas. Dans le cas d'une maison avec double porte, accrochez alors les vantaux de la porte. Montez ensuite les poignées de la porte emballées séparément, de façon à ce que vous puissiez ouvrir la porte.



Montage des fenêtres:

Continuez à monter les parois jusqu'à ce que vous arriviez à la hauteur des fenêtres. Les plans des parois (voir Caractéristiques techniques) vous indiquent combien il y a de madriers sous les fenêtres. Pour poser les fenêtres, procédez exactement comme pour la porte. Introduisez le châssis de la fenêtre, avec la fenêtre, au-dessus des madriers et repoussez-le en butée contre le madrier inférieur. Veillez à ne pas monter la fenêtre la tête en bas.

REMARQUE: Pour les fenêtres et les portes, respectez impérativement le sens de montage. Les portes s'ouvrent toujours de l'intérieur de la maison **vers l'extérieur**. Les fenêtres pivotantes et basculantes s'ouvrent **vers l'intérieur**. Les fenêtres coulissantes et pivotantes s'ouvrent **vers l'extérieur** (les poignées des fenêtres sont à l'intérieur de la maison).

IMPORTANT: Il n'est pas nécessaire de fixer la porte et les fenêtres sur les madriers des parois. Si vous le souhaitez, ne les fixez à l'aide d'une ou de deux vis que dans la zone inférieure des cadres, afin que les madriers des parois puissent se mettre bien en place lors du séchage.

Ne procéder au réglage définitif de la porte qu'au bout de 2 à 3 semaines environ, après que le bois se soit adapté au climat et que les madriers des parois se soient mis en place.

Pignons

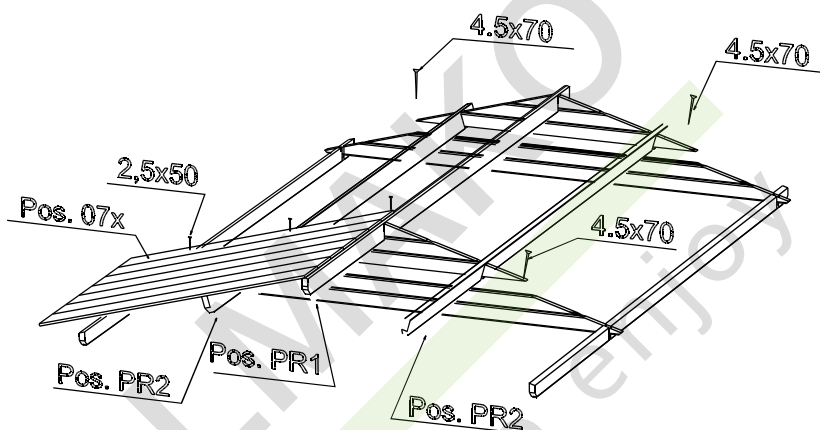
Le triangle du pignon est la plupart du temps en une seule pièce. (Attention: En fonction du modèle, le triangle du pignon peut également être en plusieurs parties! Dans ce cas, il faut commencer par visser les différentes pièces entre elles). Une fois que les derniers madriers des parois ont été montés, on place les triangles du pignon sur la paroi avant et sur la paroi arrière, et on les fixe avec des vis.

Les triangles du pignon comportent des évidements dans lesquels s'encastrent les pannes. Les pannes comportent également des évidements, ce qui empêche le toit de glisser.

Insérez alors les pannes dans les découpes des pignons prévues à cet effet.

Vérifiez si les points de raccordement entre pignons, madriers supérieurs des parois et pannes forment une surface plane. Une fois que les pannes ont été emboîtées, on les visse par dessus sur le pignon

Montage des pannes:



IMPORTANT: Si les côtés supérieurs des pannes n'affleurent pas sur le pignon, vous devez donner de petits coups sur les madriers des parois pour les abaisser, ou bien raboter un peu plus le pignon et le madrier de la paroi latérale.

Toit

Avant la pose des planches du toit, il convient de veiller à ce que la maison soit à cent pour cent de niveau. A l'aide d'un niveau à bulle d'air, vérifiez les 4 parois latérales.

IMPORTANT: Le revêtement du toit ne doit être mis en place que par utilisation d'une échelle stable. Il ne faut pas marcher sur le toit car sa construction est conçue pour une charge totale (neige, vent, etc.) et non pas pour une charge ponctuelle.

Commencez par poser les planches du toit en partant de la façade de la maison. Assemblez les différentes planches en donnant de petits coups et clouez-les dessus et dessous sur les pannes et sur le madrier de paroi supérieur.

IMPORTANT: Veillez à ne pas fixer les planches du toit de façon trop serrée les unes contre les autres, afin que les éventuels gonflements dus à l'humidité puissent être évités. Laissez environ 1 mm de distance entre les différentes planches, afin que le bois puisse encore un peu travailler.

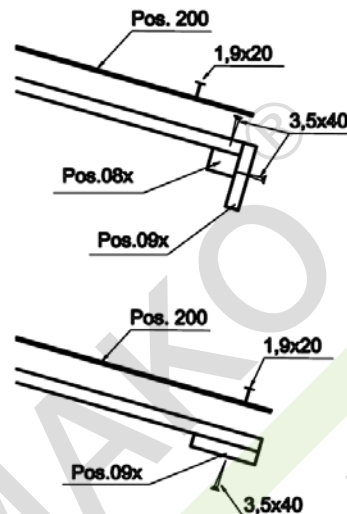
- Veillez, pour l'ensemble du toit, à un parallélisme absolu des bords du larmier, moyennant une saillie constante et un appui régulier sur la panne faîtière. Vérifiez ceci à l'aide d'un cordon ou du larmier latéral que vous mettez en place à des fins de contrôle.
- Les planches du toit doivent affleurer à l'avant et à l'arrière sur les pannes. En cas de besoin, sciez les dernières planches du toit plus étroites en conséquence.

Notice de montage – Français

Une fois que les planches du toit ont été posées, il faut mettre en place le carton bitumé du toit et les baguettes de finition du toit. Pour savoir si la couverture et les baguettes de finition du toit font partie de l'étendue de la fourniture, reportez-vous à la nomenclature.

Commencez par visser les renforts du bord du toit et les baguettes du bord du toit sous les extrémités des planches du toit (s'ils font partie de l'étendue de la fourniture). Ensuite, posez le carton bitumé.

Montage des baguettes du toit:

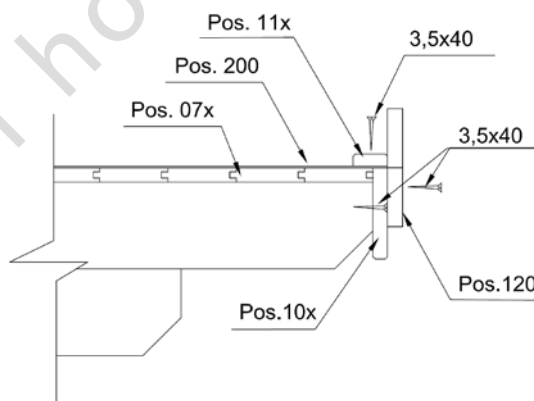


Carton bitumé (s'il fait partie de l'étendue de la fourniture)

Pour la couverture du toit, découpez les bandes, dans le carton bitumé joint à la fourniture, en fonction de la longueur du toit. Commencez par fixer les bandes bitumées sur la face inférieure du toit, en posant les bandes longitudinalement, de la paroi arrière à la paroi avant. Laissez dépasser la première bande latéralement d'environ 2-4 cm (bord du larmier). Fixez le carton bitumé avec les chevilles pour carton bitumé, en respectant un espacement de 15 cm environ. Lors de la mise en place des couches suivantes, veillez à ce que celles-ci recouvrent la couche précédente sur 10 cm au moins.

Après la pose du carton bitumé viennent le montage des pare-vent et la fixation des bandeaux de pignon sur les pannes et les madriers de parois supérieurs.

Montage des pare-vent et des bandeaux de pignon:



Plancher

Ce n'est qu'une fois que la maison a été entièrement montée qu'intervient la pose des planches du plancher. On évite ainsi un encrassement inutile du plancher.

Posez les planches du plancher sur les longrines, donnez de petits coups pour les assembler et fixez-les ensuite fermement avec les clous sur les longrines. En cas de besoin, adapter les dernières planches en les coupant.

Pour terminer, on place à l'intérieur les baguettes destinées au plancher, afin de recouvrir les éventuels joints présents au niveau des parois. Le cas échéant, recouper les baguettes pour les ajuster.

IMPORTANT: Etant donné les différences de conditions climatiques à l'endroit où la maison est installée, les planches du plancher peuvent également travailler de façon différente. Si les planches du plancher sont très

sèches, mais que le climat est humide, elles absorbent facilement l'humidité. C'est la raison pour laquelle il est conseillé de ne pas fixer les planches trop près les unes des autres, afin d'éviter les éventuels gonflements. Laissez 1 à 2 mm environ de distance entre les différentes planches, afin que le bois puisse travailler. Si le climat est cependant chaud et sec, vous pouvez poser les planches très près les unes des autres car elles sèchent encore plus et il se forme des fentes entre les planches.

Contreventements (s'ils font partie de l'étendue de la fourniture!) [®]

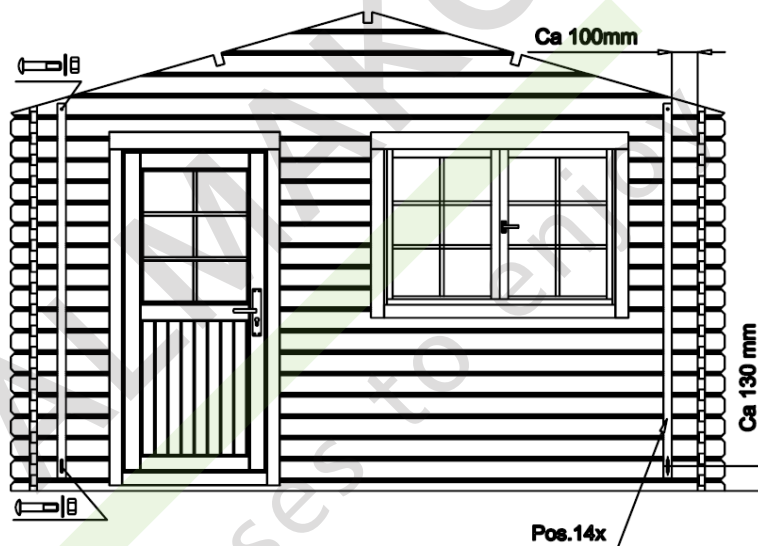
Les contreventements doivent être montés à l'intérieur, à l'aide des vis à tête bombée et collet carré fournies, sur la paroi avant (2 contreventements) et sur la paroi arrière (2 contreventements). A ces fins, il est nécessaire de percer préalablement les madriers. Veuillez ici respecter les écartements indiqués sur le plan, afin qu'il n'y ait pas, plus tard, de problèmes avec le travail du bois.

REMARQUE: Veuillez à fixer les contreventements en haut sur le madrier du pignon et, en bas, au centre du premier madrier de paroi complet. En cas de besoin, raccourcissez les baguettes du côté supérieur.

Les vis à tête bombée et collet carré ne doivent être serrées qu'à la main, afin que le bois puisse continuer à travailler.

Une fois que la maison s'est bien mise en place, il faut ajuster les fixations, afin que les madriers des parois puissent s'abaisser pour se mettre en place.

Montage des contreventements:



Conseils

Problème: *Des fentes se forment entre les madriers*

Cause: Des détails complémentaires qui empêchent la mise en œuvre du bois ont été mis en place sur les parois.

Solution: Si la fenêtre/la porte sont fixées aux madriers des parois par des vis/clous, les retirer.
Si les contreventements sont vissés de façon trop forte sur les madriers, les monter de façon souple.
Si une conduite (d'eau) est montée sur la paroi, monter les fixations de façon souple.

Problème: *La fenêtre et les portes coinent*

Cause: La maison/les fondations se sont affaissées.

Solution: Vérifiez si la maison est de niveau. Remettre les longrines et les parois à l'état horizontal.

Cause: Les fenêtres et les portes ont gonflé sous l'influence de l'humidité.

Solution: Régler les charnières de la porte/de la fenêtre; en cas de besoin, raboter plus la porte/la fenêtre.



Nous vous souhaitons beaucoup de moments heureux, une installation réussie et beaucoup d'années joyeuses dans votre maisonnette!

I. In generale



Gentile Cliente,

siamo veramente lieti che Lei abbia scelto la nostra casetta di legno per il Suo giardino!

E' importante leggere accuratamente le istruzioni prima di iniziare con il montaggio della Sua casetta di legno! In tal modo eviterà qualsiasi problema e perdita di tempo.

Consigli:

- Conservare il kit in luogo asciutto e non direttamente sul pavimento, protetto da agenti atmosferici (acqua, sole ecc.) fino al montaggio definitivo. Non conservare il prodotto in ambienti riscaldati !
- Nella scelta del luogo di collocamento, fare attenzione che la casetta non sia esposta a condizioni atmosferiche estreme (vento forte); eventualmente ancorare la casetta ulteriormente con le fondamenta.



Garanzia

La vostra casetta è stata realizzata con pregiato legno di abete rosso nordico e viene consegnata in stato non trattato. Qualora, nonostante il nostro accurato controllo in fabbrica, dovessero sorgere reclami, sarà necessario presentare al negoziante il certificato di controllo compilato insieme alla fattura d'acquisto!

IMPORTANTE: E' assolutamente necessario conservare la documentazione! Sul certificato di controllo è riportato il numero di controllo della casa. Reclami possono essere evasi in garanzia unicamente se comunicherete il numero di controllo al vostro negoziante!

Divergenze che escludono motivo di reclamo:

- Il legno è un prodotto naturale e pertanto le contestazioni relative allo stato naturale non rientrano nella garanzia.
- Reclami relativi al materiale non vengono accettati una volta verniciato!
- Rami cresciuti nel legno.
- Scolorimenti del legno che non influiscono sulla durata.
- Crepe /fessure non passanti che non compromettono la costruzione.
- Nodi nel legno a condizioni che possa ancora essere lavorato.
- Nei punti invisibili del tavolame tetto e pavimento sono ammesse tavole non piallate; sono inoltre ammesse differenze di colore e spigoli dell'albero.
- Reclami successivi dovuti a montaggio non conforme, cedimento della casetta a causa di fondamenta errate sono esclusi.
- I reclami causati introducendo modifiche proprie alla casetta, p.es. deformazione di tavole e finestre/porte dovute ad un montaggio incompetente, fissaggio troppo rigido del listello antivento, avvitarmento dei telai delle porte con le tavole di legno ecc., sono esclusi.

Le rivendicazioni di garanzia sono limitate alla sostituzione del materiale difettoso. Ogni altra rivendicazione è esclusa!



Verniciatura e cura

Il legno è un prodotto naturale e si muove in modo diverso. Caratteristiche quali venature grosse e fini, sfumature di colore e cambiamenti nonché nodi sono dovuti alla crescita dell'albero. Sono del tutto normali nei legni che crescono all'aperto, e pertanto non sono da considerare difetti ma piuttosto una caratteristica del legno naturale.

Il legno non trattato (ad eccezione dei travetti) diventa grigio col tempo, può scolorirsi e fare la muffa. Per proteggere la vostra casetta di legno, è consigliabile trattarla con opportuni preservanti per legno.

Per proteggere al meglio la vostra casetta da giardino, consigliamo di trattare le tavole del pavimento preventivamente con un colore di fondo neutro, in particolare la parte inferiore che non sarà più raggiungibile dopo il montaggio. Solo in questo modo la penetrazione di umidità potrà essere evitata.

Consigliamo di trattare in ogni caso anche porte e finestre con un colore di fondo. E' molto importante verniciare sia il lato interno che quello esterno delle porte in un'unica soluzione, altrimenti potrebbero deformarsi !

Dopo il montaggio, consigliamo di applicare uno strato di fondo sulla pelle esterna (senza tetto), non appena il medesimo si sarà asciugato, verniciare la casetta con una velatura per legno per proteggere il legno dall'umidità e dalle radiazioni UV.

Per la verniciatura, usare attrezzi e vernici di qualità e rispettare le istruzioni di sicurezza e applicazione del produttore della vernice. Non verniciare in pieno sole o in caso di pioggia. Farsi consigliare dettagliatamente dal venditore sulla protezione di legni di conifera non trattati.

Con una regolare verniciatura aumenterete notevolmente la durata della vostra casetta da giardino. Consigliamo un'ispezione semestrale della casetta.

II. Preparazione al montaggio

Attrezzi e preparazione dei particolari

Attrezzi occorrenti:



aiutante



scala doppia



martello



livella a bolla d'aria



cacciavite



sega



coltello



metro



pinza



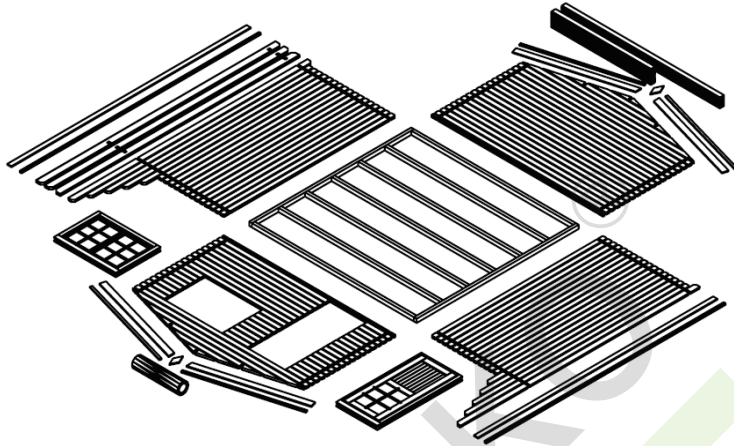
trapano

AVVERTENZA: Per evitare lesioni causate da eventuali schegge di legno, portare guanti di protezione durante il montaggio.

Preparazione dei particolari:

Dividere il materiale e predisporre i quattro lati della casetta nella sequenza indicata.

IMPORTANTE: Non appoggiare mai i legni direttamente sul prato o su superfici sporche in quanto sarebbe difficile o persino impossibile pulirli successivamente!



Fondamenta

La cosa più importante per la sicurezza e la durata della vostra casetta sono delle buone fondamenta. Solo fondamenta completamente orizzontali e stabili garantiscono un montaggio perfetto delle tavole di legno, stabilità e soprattutto precisione di adattamento delle porte. Con delle buone fondamenta, la vostra casetta di legno durerà molti anni di più.

Preparare le fondamenta in modo tale che il bordo superiore sporga di almeno 5 cm dal pavimento per proteggere la vostra casetta meglio dall'umidità. Ricordate inoltre che la casetta deve essere sufficientemente ventilata.

Nostrì consigli per le fondamenta:

- Fondamenta a strisce o punti
- Fondamenta in calcestruzzo risp. fondamenta con lastre da marciapiede
- Gettata di calcestruzzo

Preparare le fondamenta in maniera tale che i travetti siano sorretti ovunque alla distanza di max. 50-60 cm .

Fatevi eventualmente consigliare da un esperto ovvero fate preparare le fondamenta da un esperto.

III. Montaggio

IMPORTANTE:

- Compresa nella confezione, una tavola supplementare (tavola parete più lunga).
- Compresa nella confezione, una tavola supplementare (tavola tetto risp. pavimento più lunga).
- Compresi nella confezione, 2-3 legni contrassegnati per aiuto montaggio (profilo tavola lungo ca. 20-30 cm).

Gli elementi menzionati sopra **NON** sono elencati nella distinta pezzi.

- Nelle figure, gli elementi sono contrassegnati con voci a tre caratteri. Troverete le voci esatte di tali elementi il cui 3° carattere nella figura è contrassegnato con "x", nella distinta pezzi.

Travetti

I travetti devono assolutamente trovarsi a livello e in piano per garantire un montaggio perfetto.

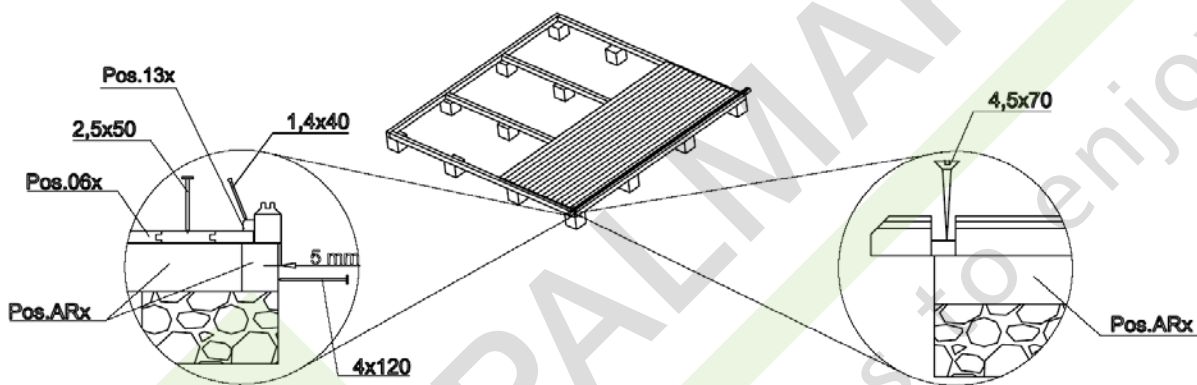
ATTENZIONE: Lo schema delle fondamenta può variare a seconda del modello di casetta. Rispettare lo schema allegato (vedi Dati Tecnici)!

Appoggiare i travetti impregnati sulle fondamenta preparate ad una distanza uguale tra di loro (vedi schema delle fondamenta in Dati Tecnici). Fate attenzione che i travetti siano a livello ed in squadra prima di avvitarli.

AVVERTENZA: E' consigliabile interporre tra i travetti e le fondamenta un blocca-umidità che protegge da umidità e marcio.

AVVERTENZA: E' inoltre consigliabile ancorare i travetti con le fondamenta. (Usare a tale scopo p.es. squadra di metallo, bulloni di ancoraggio per calcestruzzo e sim.). Questo materiale non è in dotazione!

Montaggio dei travetti:



Pareti

Per il montaggio delle pareti è importante sapere che:

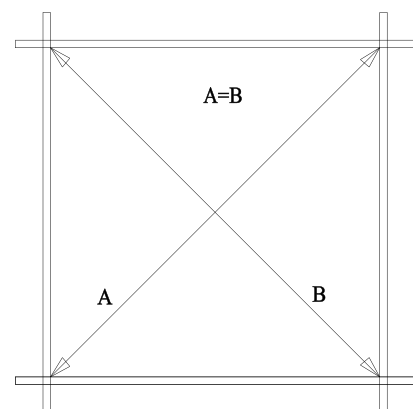
- Le tavole di parete vengono unite sempre con il maschio verso l'alto!
- Se necessario, usare il blocchetto di legno ed il martello! Non battere mai con il martello direttamente sul maschio!

Gli schemi delle pareti (vedi parte: Dati Tecnici) illustrano il montaggio delle pareti.

Per primo, posare le mezze tavole della parete anteriore e posteriore e fissarle con viti ai travetti. Successivamente portare le tavole delle pareti laterali nella loro posizione facendo attenzione che il primo cerchio di tavole sporga leggermente dai travetti: le tavole dovrebbero sporgere di ca. 3-5 mm dai travetti per formare una grondaia e proteggere dall'acqua.

IMPORTANTE: Dopo il primo cerchio di tavole, misurare la diagonale ed eventualmente ri-allinearla! Soltanto se le misure della diagonale corrispondono al millimetro, il telaio si trova in squadra e può essere fissato. Se necessario, ripetere l'allineamento.

Cerchio di tavole



Proseguire incastrando saldamente le prossime tavole tra loro. Se necessario, utilizzare il blocchetto di legno ed il martello. Ricordare sempre di iniziare con il montaggio delle finestre e delle porte.

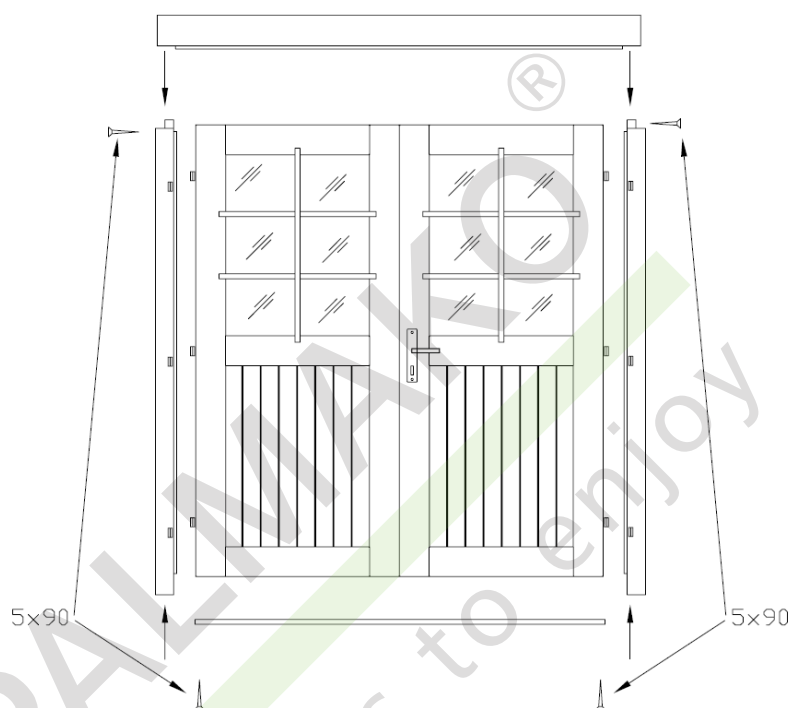
Il montaggio delle porte dovrebbe in ogni caso avvenire dopo il 5°-6° strato di tavole.

Porta e finestra

Telaio porta:

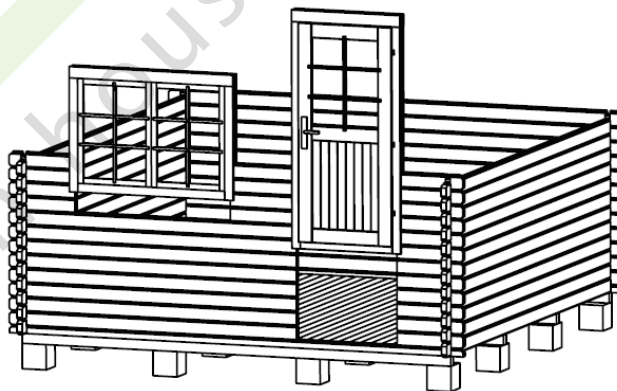
- Per motivi di trasporto, in caso di porta doppia, gli elementi del telaio vengono consegnati sfusi e devono essere assemblati.
- A tale scopo, unire i quattro legni del telaio della porta doppia e avvitarli.
- Fare attenzione che l'elemento con le fessature più profonde vada a finire sul lato superiore della porta. Gli elementi laterali sono speculari con le cerniere.
- E' raccomandabile applicare i battenti solo in seguito.
- Nella porta semplice, gli elementi del telaio ed il battente sono già assemblati.

Montaggio del telaio porta (solo per doppia porta!):



Montaggio della porta:

Il telaio viene inserito da sopra nell'apertura creata e premuto fortemente sulla tavola inferiore. Nelle casette con doppia porta, applicare ora i battenti. Montare ora le maniglie imballate separatamente per poter aprire la porta.



Montaggio delle finestre:

Procedere alzando le pareti fino a raggiungere l'altezza delle finestre. Dagli schemi della parete (vedi Dati Tecnici) risulta quante tavole si trovano sotto le finestre. Per inserire le finestre, procedere esattamente come per la porta. Inserire il telaio della finestra con la finestra sopra le tavole e premere forte sulla tavola inferiore. Fare attenzione di non montare la finestra a rovescio.

AVVERTENZA: Per le finestre e le porte, rispettare assolutamente la direzione di montaggio. Le porte si aprono sempre dal vano interno della casetta **verso l'esterno**. Le finestre ribaltabili-girevoli si aprono **verso l'interno**. Le finestre sospese e girevoli si aprono **verso l'esterno** (le maniglie delle finestre sono all'interno della casetta).

IMPORTANTE: Non è necessario fissare la porta e le finestre alle tavole della parete. Se desiderate, fissateli con una o due viti nella parte inferiore del telaio in modo che le tavole della parete possano assestarsi durante l'asciugatura.

La registrazione definitiva della porta deve avvenire solo dopo ca. 2 - 3 settimane, quando il legno si è adattato al clima e le tavole della parete si sono assestate.

Timpano

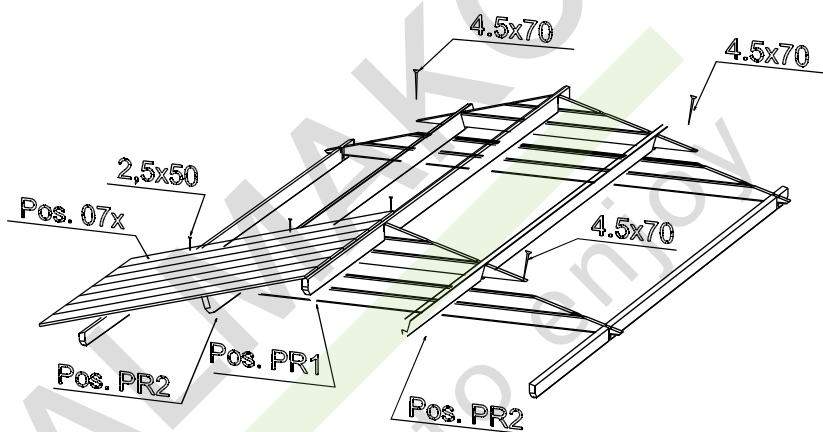
Il triangolo del timpano è quasi sempre composto di un unico pezzo. (Attenzione: A seconda del modello, il triangolo del timpano può essere anche composto di più pezzi ! In tal caso gli elementi devono prima essere avvitati tra loro.) Dopo il montaggio delle ultime tavole parete, applicare i triangoli del timpano sulla parete anteriore e posteriore e fissarli con le viti.

I triangoli del timpano contengono cavità per l'inserimento degli arcarecci. Anche gli arcarecci sono provvisti di cavità per evitare che il tetto si sposti.

Inserire ora gli arcarecci negli appositi incavi dei timpani.

Verificare che i punti d'unione tra timpano, tavola parete superiore e arcarecci formino una superficie piana. Dopo l'inserimento degli arcarecci, avvitare gli stessi da sopra con il timpano.

Montaggio degli arcarecci:



IMPORTANTE: Se i lati superiori degli arcarecci non chiudono a filo con il timpano, abbassare le tavole parete battendo o piallare il timpano risp. la tavola parete laterale.

Tetto

Prima della posa delle tavole tetto, controllare che la casetta si trovi al 100% in piano. Controllare con una livella a bolla d'aria tutte e 4 le pareti laterali.

IMPORTANTE: Il rivestimento del tetto deve essere applicato solo con l'uso di una scala stabile. Il tetto non deve essere calpestato poiché la struttura è prevista per un caricamento totale (neve, vento etc.) e non per carichi concentrati.

Iniziare con la posa delle tavole tetto dal lato anteriore della casetta. Unire le singole tavole battendo leggermente e inchiodarle sopra e sotto agli arcarecci e alla tavola parete superiore.

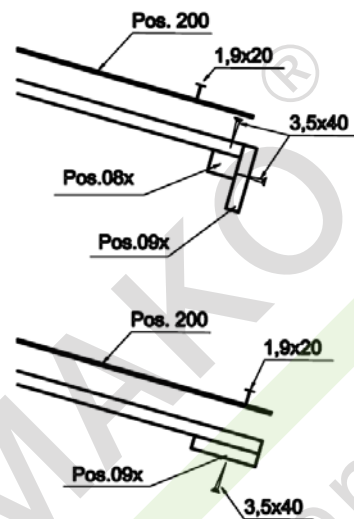
IMPORTANTE: Fare attenzione affinché le tavole tetto non vengano fissate troppo vicine tra loro per evitare l'eventuale rigonfiamento dovuto all'umidità. Lasciare una distanza di ca. 1 mm tra le singole tavole di modo che il legno possa muoversi ancora un poco.

- Sull'intero tetto badare ad un assoluto parallelismo dei bordi della gronda con sporgenza uguale e appoggio uniforme sull'arcareccio del colmo. Effettuare il controllo con una corda o con la tavola di gronda laterale che userete per la verifica.
- Le tavole tetto devono chiudere a filo, davanti e dietro, con gli arcarecci del tetto. Se necessario, accorciare le ultime tavole tetto con una sega.

Dopo aver posato le tavole del tetto, applicare del cartone catramato e i listelli di chiusura tetto. Se la copertura tetto e i listelli di chiusura tetto fanno parte della fornitura è riportato nella distinta pezzi.

Avvitare prima i rinforzi del bordo tetto ed il listello bordo tetto sotto le estremità delle tavole tetto (se comprese nella fornitura). Dopodiché applicare il cartone catramato.

Montaggio listelli tetto:

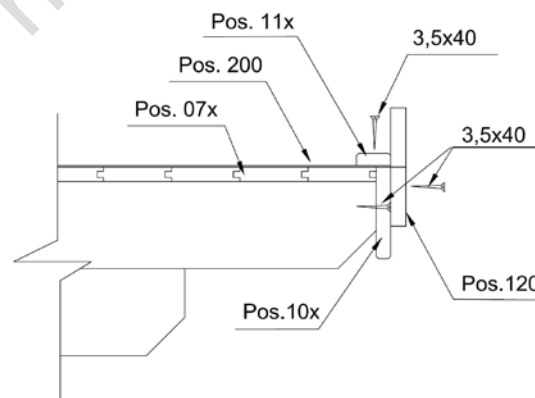


Cartone catramato (se in dotazione)

Per la copertura del tetto, tagliare le strisce secondo la lunghezza del tetto dal cartone catramato in dotazione. Iniziare con il fissaggio delle strisce bitumate sul lato inferiore del tetto posando delle strisce nel senso della lunghezza dalla parte posteriore verso quella anteriore. Lasciare sporgere la prima striscia lateralmente di ca. 2-4 cm (grondaia). Fissare il cartone catramato con gli appositi chiodi in dotazione a distanze di ca. 15 cm. Nell'applicazione degli strati successivi, badare affinché i medesimi siano sovrapposti allo strato precedente di almeno 10 cm.

Montaggio tavole antivento e schermi para-timpano:

Dopo la posa del cartone catramato, montare le tavole antivento e fissare gli schermi para-timpano agli arcarecci e alle tavole pareti superiori.



Pavimento

Solo a montaggio completo della casetta avviene la posa delle tavole pavimento per evitare che il pavimento si sporchi inutilmente.

Appoggiare le tavole pavimento sui travetti, unirle battendo leggermente e fissarle stabilmente sui travetti con i chiodi. Se necessario, adattare le ultime tavole tagliandole.

Istruzioni di montaggio – Italiano

Infine applicare internamente i battiscopa per coprire eventuali giunti alle pareti. I listelli devono eventualmente essere adattate tagliandoli.

IMPORTANTE: A causa delle diverse condizioni climatiche nei luoghi in cui la casetta può essere collocata, anche le tavole pavimento possono muoversi in modo diverso. Se sono molto asciutte ma il clima è umido, assorbono facilmente l'umidità. Pertanto è consigliabile fissare le tavole non troppo vicine per evitare eventuali rigonfiamenti. Lasciare una distanza di ca. 1-2 mm tra le singole tavole per fare muovere il legno. Tuttavia se il clima è caldo e asciutto, potete disporre le tavole molto vicine in quanto si asciugheranno ulteriormente e si formeranno fessure tra le tavole.

Listelli antivento (se in dotazione!)

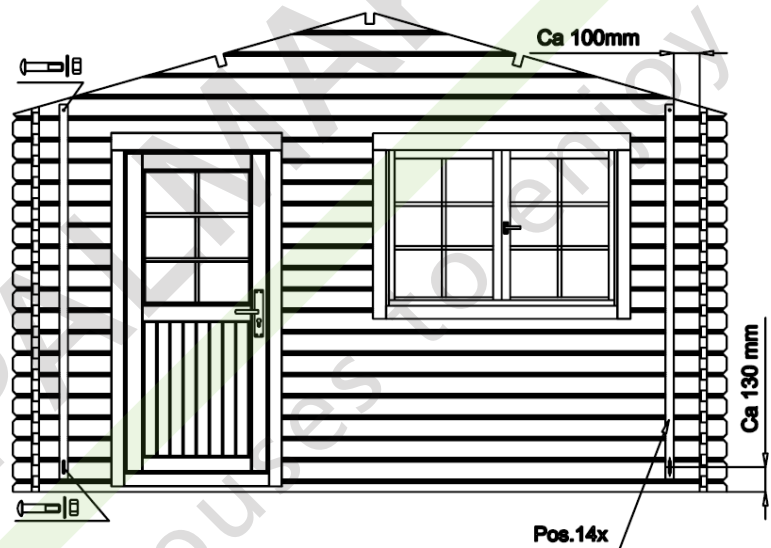
I listelli antivento devono essere montati all'interno con le viti a testa quadra in dotazione sulla parete anteriore (2) e su quella posteriore (2). A tale scopo è necessario forare prima le tavole. Rispettare le distanze indicate sul disegno per evitare in seguito problemi con il movimento del legno.

AVVERTENZA: Far sì che i listelli antivento vengano fissati in alto, sulla tavola del timpano e sotto, nel centro della prima tavola parete intera. Al bisogno accorciare i listelli dalla parte superiore.

Le viti a testa quadra devono essere strette a mano affinché il legno possa continuare a muoversi.

Quando la casetta si sarà assestata, è necessario registrare i fissaggi affinché le tavole parete possano assestarsi nella parte inferiore.

Montaggio dei listelli antivento:



Consigli:

Problema: *Formazione di fessure tra le tavole*

Causa: Sulle pareti sono stati applicati particolari che impediscono il movimento del legno.

Rimedio: Se finestra/porta sono fissate alle tavole da parete con viti/chiodi, eliminarli;

Se i listelli antivento sono avvitati alle tavole in modo troppo rigido, montarli in modo flessibile;
Se alla parete è montata una condotta (acqua), montare i fissaggi in modo più flessibile;

Problema: *Finestre e porte si bloccano*

Causa: La casetta/le fondamenta si è/sono abbassata/e

Rimedio: Controllare che la casa sia a livello. Riportare travetti e pareti in posizione orizzontale.

Causa: Finestre e porte si sono gonfiate a causa dell'umidità

Rimedio: Registrare le cerniere di porte e finestre; se necessario, rimpiccolire porta/finestra con la pialla



Vi auguriamo successo nel montaggio della casa e speriamo che la godrete per molti anni!

1 Información general



Estimado cliente,

¡Nos alegra que haya elegido una casita nuestra!

¡Por favor, lea atentamente estas instrucciones de montaje antes de empezar a montarlo! Esto le ahorrará problemas y pérdida de tiempo.

Consejos:

- Preserve los elementos empaquetados hasta su ensamblaje completo en condiciones secas evitando el contacto directo con el suelo, y protéjalos contra las condiciones meteorológicas adversas (humedad, luz solar, etc.) ¡No las mantenga en una habitación con altas temperaturas!
- Durante la elección de la ubicación de la cabaña en su jardín, no escoja un lugar donde quede expuesta a condiciones climáticas extremas (zonas de fuertes nevadas o vientos fuertes), en caso contrario será necesario sujetar su cabaña (por ejemplo, con anclajes) al subsuelo.



Garantía

Su casita esta hecha de madera de abeto de alta calidad y se entregará en estado natural (rugoso). Si, a pesar de nuestras inspecciones minuciosas, se encontrara con defectos, presente al vendedor un listado completo de **verificación** y el recibo al vendedor.

ATENCIÓN: ¡Por favor, conservar la documentación relativa a la cabaña! El número de control de la casita se encuentra en el listado de verificación. ¡Sus quejas serán atendidas solamente si usted suministra al vendedor el número de control de su casita de madera!

La garantía no cubre:

- Características peculiares de la madera derivadas de la misma como un material natural
- Elementos que ya han sido pintados (madera tratada con conservantes de la madera)
- Elementos que contienen nudos que no afectan la estabilidad de una casita
- Diferentes tonos de color debido a las variedades estructurales de la madera que no afectan la esperanza de vida de la madera
- Elementos con pequeñas grietas / divisiones (causadas por el secado) que no son penetrantes y no afectan a la construcción de la casita
- Elementos torcidos de madera si pueden ser instalados todavía
- Tableros de techo y suelo con superficie (oculta) rugosa, variaciones de color, y disminución
- Quejas provocadas por un montaje incompetente de la casita o asentamientos de la casita debidos a fallos de la construcción de los cimientos
- Quejas causadas por alteraciones no autorizadas hechas en la cabaña, tales como el doblado de los elementos de madera o de las ventanas / puertas como consecuencia del incompetente trato de la madera, de la excesivamente rígida fijación de las tablas de acceso o atornillado de los marcos de las puertas a los elementos de las paredes, etc.

La satisfacción de las reclamaciones cubiertas por la garantía, se limita al intercambio de los materiales desaparecidos / defectuosos. ¡Todas las demás exigencias están excluidas!



Pintura y mantenimiento de la cabaña

La madera es un material natural que crece y se contrae debido a las condiciones climáticas. Grietas más pequeñas o más grandes, diferencias y cambios en los matices de colores y sus alternancias estructurales no son fallos, sino los resultados del crecimiento y de la peculiaridad de la madera como un material natural.

Con el tiempo la madera rugosa (excluyendo las vigas de la cimentación) cambia de color a gris o puede adoptar un color azul y enmohecer. Con el fin de proteger los elementos de su cabaña, deben ser tratados de inmediato con un conservante de madera.

Le recomendamos que cubra los suelos, especialmente sus partes inferiores, adonde no se puede llegar después del montaje de la cabaña, primero con un conservante incoloro de madera. Sólo de esta manera las tablas pueden protegerse de la penetración de la humedad.

También recomendamos que cubra las puertas y ventanas con conservantes de madera. Es esencial hacer el tratamiento tanto por dentro como por fuera de las superficies de las puertas y ventanas. En caso contrario, se pueden desarrollar deformaciones.

Después del ensamblaje de la cabaña, recomendamos para su acabado el uso de pintura resistente al agua para que proteja la madera contra la humedad y la radiación UV.

Para el acabado de su cabaña utilice únicamente herramientas y pinturas de alta calidad. Además, siga los manuales de instrucciones para las pinturas y las advertencias de seguridad y las instrucciones de uso proporcionadas por el fabricante. No pintar durante una luz intensa del sol o bajo la lluvia. Consulte a un experto en relación a las pinturas para madera áspera de coníferas y siga las instrucciones del fabricante de la pintura.

La aplicación de pintura extiende considerablemente la vida útil de su cabaña. Recomendamos una cuidadosa inspección de la cabaña dos veces al año.

2 Preparativos para el montaje

Herramientas y la preparación de los elementos

Para montar la cabaña, necesita lo siguiente:



Auxiliar de trabajo



Escalera



Martillo



Instrumento de nivelación



Destornillador



Sierra



Cuchillo



Metro



Tenazas



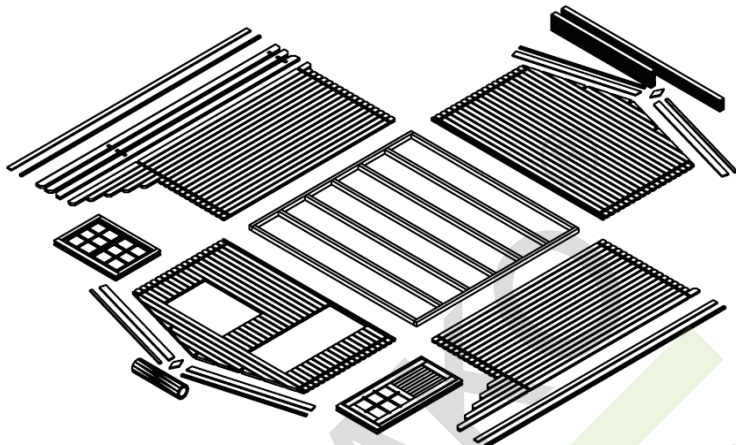
Taladro

Consejo: Con el fin de defenderse de las astillas, durante el montaje se recomienda llevar guantes de protección.

Preparación de los elementos:

Clasificar los siguientes elementos siguiendo el esquema de la pared (ver datos técnicos) y colocarlos en el orden de montaje en los cuatro lados de la cabaña.

ATENCIÓN: ¡No coloque los elementos sobre la hierba o tierra fangosa porque es extremadamente difícil, si no imposible, limpiarlos después!



Cimentación

Una buena cimentación tiene la mayor importancia en términos de la vida y la seguridad de su cabaña. Sólo una cimentación completamente nivelada, rectangular y con la capacidad de carga adecuada garantiza una instalación sin problemas y la seguridad del edificio y, ante todo, puertas bien ajustadas. Su cabaña durará más tiempo si tiene una cimentación adecuada.

Construya la cimentación de modo que su borde superior se extienda por lo menos 5 cm. por encima del suelo. Al mismo tiempo, asegúrese de que hay suficientes bolsas de aire debajo del suelo para asegurar la ventilación.

Le recomendamos los siguientes tipos de cimentación:

- Cimentación de bloques o de tiras
- Cimentación de losas de hormigón o de pavimento
- Cimentación de hormigón in situ

Construya la cimentación de modo tal que las vigas de la cimentación estén debidamente apoyadas y que la distancia entre los puntos de apoyo sea por lo menos de 50-60 cm. Buscar el asesoramiento de expertos o haga preparar la cimentación por especialistas cualificados.

3 Ensamblaje de la cabaña

ATENCIÓN:

- El paquete también incluye el elemento de repuesto (parte la más larga de la pared)
- El paquete también incluye una tabla de repuesto (el tablero más largo del techo o del suelo)
- El paquete incluye 2-3 bloques etiquetados para golpear (una pieza del perfil de pared aproximadamente de 20-30 cm. de largo)

Los elementos mencionados arriba NO ESTAN incluidos en el listado de detalles.

- En las cifras los elementos son marcados con los números de posición de tres dígitos. Va a encontrar la posición exacta de estos elementos donde la tercera cifra del elemento ha sido marcada con una "x" en la lista de los elementos.

Rastreles de cimentación

Rastreles de cimentación de la cabaña tienen que ser absolutamente rectos y nivelados a fin de evitar problemas durante el montaje de la construcción.

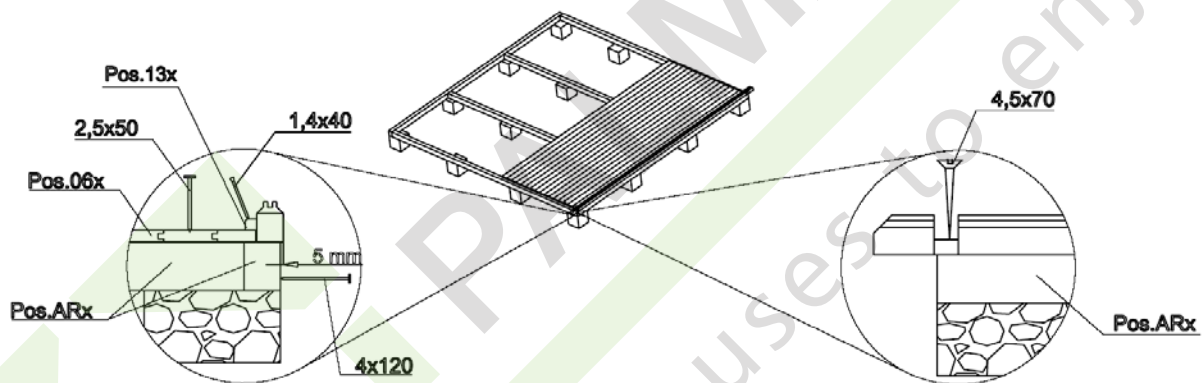
ATENCIÓN: ¡casas separadas pueden tener diferentes posiciones de la cimentación - ver el dibujo que representa los rastreles de cimentación (vea los datos técnicos)!

Ponga las vigas tratadas con conservantes sobre la cimentación preparada a intervalos iguales según el dibujo. Antes de fijarlas juntas con los tornillos, asegúrese de que las vigas están niveladas y tienen los ángulos rectos.

Consejo: Es recomendable colocar una barrera de humedad entre los rastreles de cimentación y la cimentación para proteger el edificio contra la humedad y los daños.

Consejo: Con el fin de proporcionar protección contra el viento y las tormentas, se recomienda fijar los rastreles a la cimentación (utilizando, por ejemplo, soportes metálicos, anclajes, etc.) ¡Estos elementos no están incluidos en el paquete entregado!

Instalación de los rastreles de cimentación:



Paredes

Durante el montaje de las paredes, recuerde que:

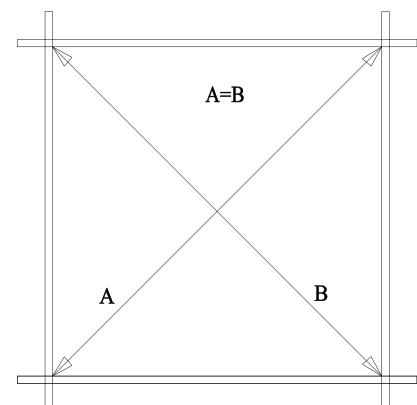
- ¡Todos los elementos han de ser montados con la lengüeta hacia arriba!
- ¡Si es necesario, use los bloques para golpear en vez de un martillo! ¡Nunca golpee directamente en la lengüeta!

Monte las paredes mirando los esquemas de las paredes adjuntos (ver datos técnicos).

En primer lugar, ponga los elementos parcialmente preparados de las paredes delanteras y traseras en su lugar y fíjelos con tornillos a las vigas de cimentación. Luego coloque las vigas de las paredes laterales en su posición. Asegúrese de que la primera ronda de los elementos se extiende un poco sobre las vigas de la cimentación: los elementos deben ser unos 3-5 mm. sobre las vigas. De esta manera usted protege su casa contra la humedad, dejando fluir libremente el agua de lluvia al suelo.

ATENCIÓN: Después de colocar la primera ronda de los elementos, mida las longitudes de las diagonales y, si es necesario, vuelva a posicionar los elementos. Sólo si las diagonales son exactamente iguales será el marco de la cimentación en ángulo recto y las vigas se podrán fijar unas con otras.

La primera ronda de los elementos:



Manual de montaje

Continuar con la instalación de las paredes, presionando firmemente los elementos entre sí. Si es necesario, use los bloques para golpear y un martillo. Sin embargo, también es tiempo para empezar con la instalación de la puerta y de las ventanas.

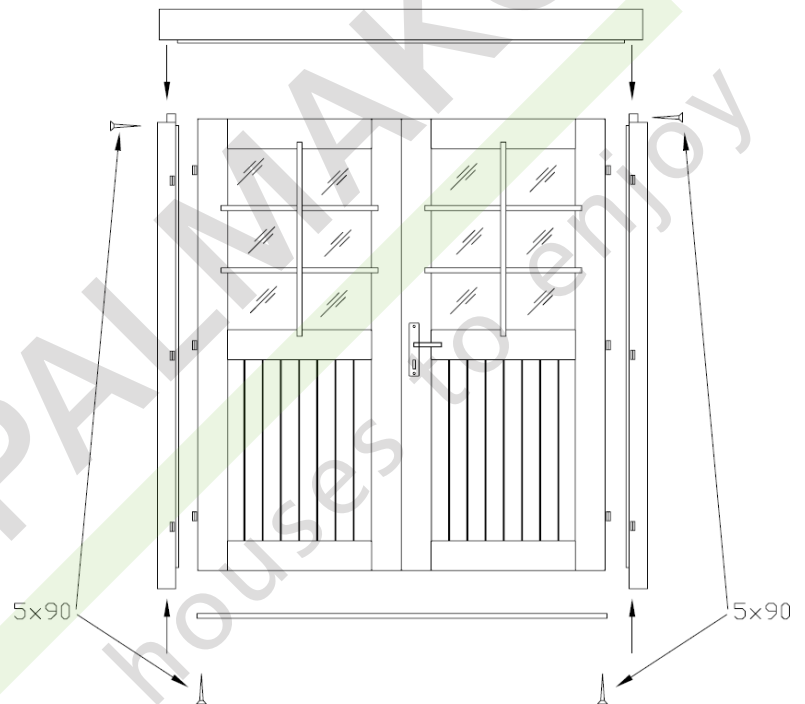
La instalación de la puerta debería comenzar después de la quinta o sexta ronda de la instalación de los elementos.

Puertas y ventanas

Marco de la puerta:

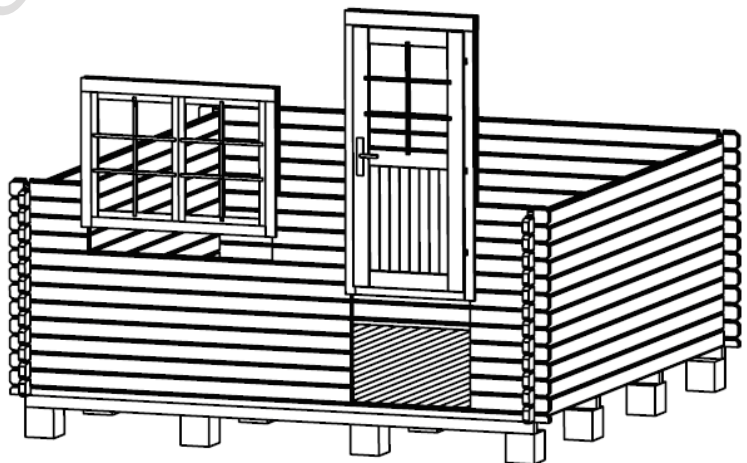
- Por razones de transporte, los marcos de las puertas dobles se entregan en partes separadas y primero se necesita montarlas.
- Con el fin de hacerlo, coloque las cuatro partes de la puerta en su lugar y fíjelas con tornillos unas a otras.
- Asegúrese de que el elemento del marco con un corte más profundo es el elemento superior. Los elementos laterales con las manillas de las puertas tienen bisagras y contra imagen.
- Es recomendable instalar los paneles de la puerta más tarde.
- Las puertas simples tienen el marco de la puerta y el panel fijados en su lugar antes de la entrega.

Instalación de la marco de la puerta (Solo necesario con las puertas dobles):



Instalación de la puerta:

El marco de la puerta se pone en la apertura y se empuja con firmeza en el elemento menor. Al instalar una puerta doble, el siguiente paso es colocar los paneles en las bisagras. Para abrir la puerta ajuste el cerrojo y las manillas de la puerta empaquetados por separado.



Instalación de las ventanas:

Continuar con la instalación de los elementos, hasta llegar al nivel de las ventanas. Los esquemas de la pared (ver datos técnicos) le mostrarán la cantidad de los elementos que se colocan debajo de las ventanas. Instale las ventanas en la manera en que se describe la instalación de la puerta. Al igual

Manual de montaje

que en caso de la puerta, los marcos de las ventanas se empujan firmemente en las aberturas de los elementos debajo. Asegúrese de que la ventana no está al revés.

Consejo: Durante de la instalación de las puertas y ventanas observe la dirección de abertura. Las puertas siempre se abren **hacia al exterior**. Las ventanas con giro lateral se abren **hacia adentro**. Las ventanas con el giro superior se abren hacia al exterior (con las manillas en el interior).

ATENCIÓN: ¡No es necesario fijar la puerta y las ventanas a los elementos de la pared! Si desea puede fijarlas solo con un par de tornillos en la parte inferior del marco ya que los elementos de la pared cada vez se secan más y se contraen.

El último ajuste de las puertas y ventanas sólo puede hacerse aproximadamente 2-3 semanas después de la instalación del edificio, cuando se ha adaptado a las condiciones climáticas y todos los elementos se han asentado.

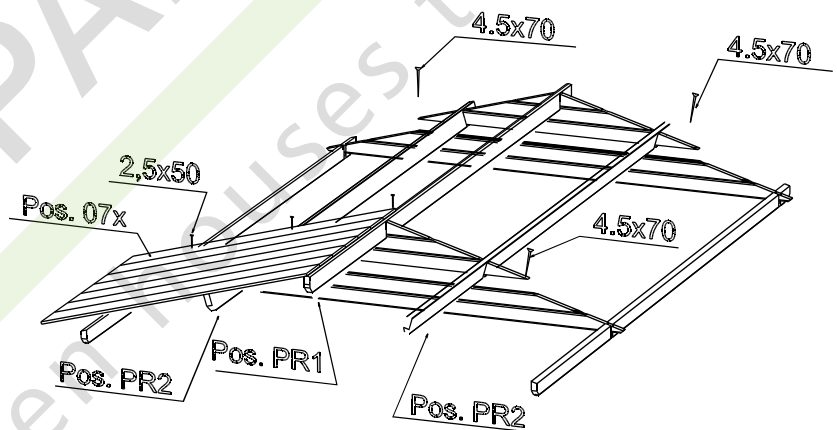
Ápice

En los demás casos, el ápice es en una pieza (¡Atención: en algunas casas, el ápice está compuesto por varias partes! En este caso, es necesario atornillar las partes entre si antes de seguir con la montaje.) Después de instalar las últimas tablas de pared, ponga el ápice a las paredes frontales y traseras y los sujeta con tornillos.

Los ápices son marcados para las viguetas de tejado. Las viguetas de tejado son marcados correspondiendo a los ápices, asegurando que el tejado es colocado firmemente y en su lugar correcto.

Ahora coloque las viguetas de Instalación de las viguetas de tejado: tejado en el las terminaciones de cuatro aguas en las muescas para las vigas.

Compruebe que el elemento superior de la pared, terminaciones a cuatro aguas y las vigas se colocan en una posición nivelada. Después de alinear las vigas en su lugar, fíjelas con tornillos de fijación a las terminaciones a cuatro aguas.



ATENCIÓN: Si las tablas de paredes no son bien apretadas uno encima de otro sin huecos, es posible que la tabla de pared superior no está en el mismo nivel con los ápices. En este caso dé golpecitos a los tablas de pared hacia abajo como ve necesario o cepilla el ápice o la tabla de pared lateral un poco más bajo.

Tejado

Antes de poner las tablas del tejado, en su sitio, compruebe que la casa esta totalmente nivelada. Compruebe todas las paredes con el instrumento de nivelación.

ATENCIÓN: Para poner el tejado utilice una escalera estable. ¡No pasee por el tejado, porque la construcción es apropiada para un peso uniforme (nieve, viento, etc.) pero no para una carga puntual!

Comience la colocación de las tablas del tejado desde la parte delantera del tejado. Golpee suavemente las tablas entre sí y fije con clavos en ambos extremos a las vigas del tejado y al elemento superior de la pared.

ATENCIÓN: ¡No presione las tablas del tejado una contra otra demasiado firmemente, porque ayuda a evitar abultamientos causados por la humedad! Deje entre las tablas un espacio de aproximadamente 1 mm para permitir la expansión.

Manual de montaje

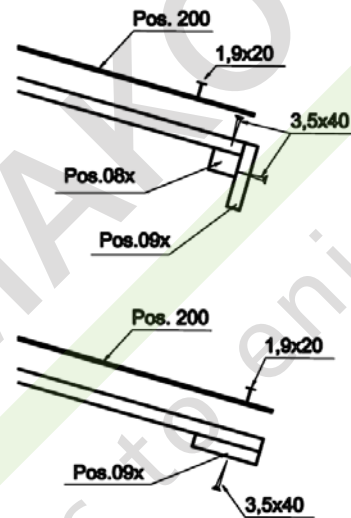
- Durante de la colocación de las tablas del tejado, asegúrese de que las tablas cubren la viga en la cresta del tejado y que los extremos de los aleros se extienden a una distancia igual. Esto se puede comprobar con una cuerda o un tablero de alero fijado para este fin.
- Las tablas del tejado tienen que igualarse con los extremos de las vigas, tanto en la parte delantera y trasera. Si es necesario, asierre las últimas tablas lo suficientemente finas para igualarlas con los extremos de las vigas.

Después de colocar las tablas del tejado, es necesario fijar en su lugar la fibra de vidrio y los aleros del tejado.

¡Vea en el listado de los elementos, si el material del tejado y las tablas están incluidos en el paquete de un determinado modelo de cabaña!

En primer lugar fije los listones de los aleros y las tablas bajo los extremos de las tablas del tejado. A continuación ajuste el material del tejado.

Instalación de los aleros del tejado:



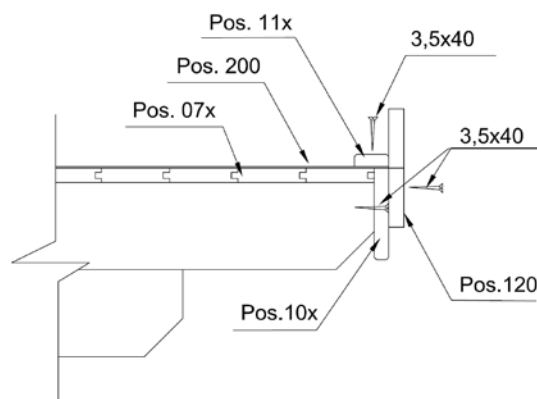
Material del tejado (¡NB! ¡Algunos modelos no lo tienen incluido en el paquete de entrega!)

Corte el material de la cubierta de acuerdo con la longitud de la cubierta en trozos adecuados y empiece ponerlo en su lugar en paralelo con el extremo inferior del tejado, moviéndolo hacia arriba a la cresta del tejado y coloque las bandas de fieltro desde la parte de atrás a la pared de enfrente. Deje que el fieltro se extienda aprox. 2-4 cm. sobre el borde del tejado. Clave el fieltro de cubierta a las tablas del tejado usando los clavos incluidos en el paquete. Compruebe que los bordes de las bandas de fieltro se superponen por lo menos 10 cm.

Consejo: El fieltro de cubierta no dura por mucho tiempo. Si es posible, le recomendamos que cubra el tejado con tablillas de asfalto o baldosas, que ofrecen un buen aspecto general a su casa. Siga las instrucciones del productor del material de la cubierta y consulte con su especialista

Instalación de listones y tablas:

Después de colocar el material de cubierta, fije los listones en el tejado y fije las tablas hacia las vigas y hacia los elementos superiores de la pared.



Suelo

Los suelos se colocan sólo después de que la casa ha sido totalmente montada, lo que impide que se ensucien.

Coloque el suelo en un marco golpeando suavemente unos tableros contra otros y, a continuación, clave las tablas fuertemente a las vigas de la cimentación. Si es necesario, la última tabla debe ser de cortada más fina para encajarla en su lugar.

Por último, se fijan los listones que ayudan a cubrir las diferencias entre el suelo y las paredes. Si es necesario, los listones tienen que ser cortados para tener la longitud justa.

ATENCIÓN: Dependiendo del clima, los suelos pueden expandirse, así como encogerse. Si los suelos están extremadamente secos, pero el clima es húmedo, las tablas se convierten fácilmente húmedas. En este caso las tablas del suelo no se deben ser fijadas demasiado cerca unas de las otras lo que contribuye a evitar posibles abultamientos. Deje algo de espacio (1-2 mm.) entre las tablas del suelo que las permite expandirse. Si ustedes instalan su cabaña de jardín en un lugar con un clima cálido y seco, las tablas del suelo pueden ser puestas muy cerca unas de las otras porque cada vez se secarán más y pueden aparecer aberturas entre las tablas.

Protección contra tormentas (¡NB! ¡No incluido en el paquete de entrega de los algunos modelos!)

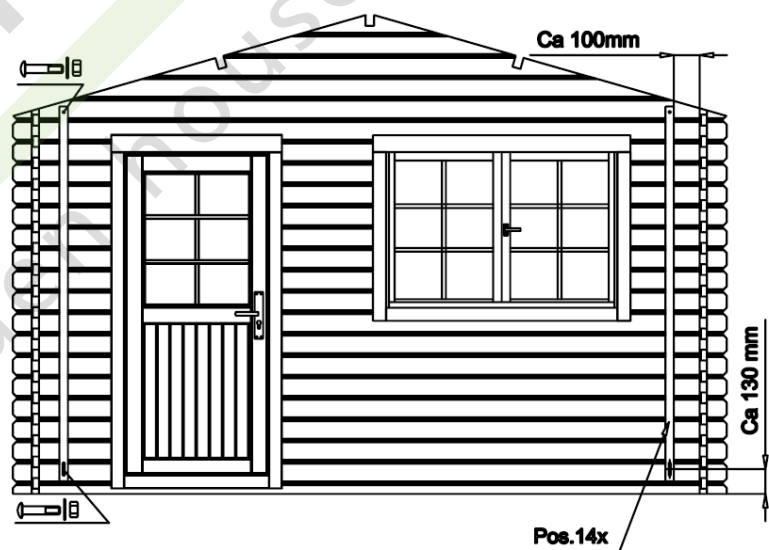
La protección contra tormentas (si se proporciona en el paquete de entrega) se fija a la parte interna de la parte delantera (2 tableros) y la pared trasera (2 tableros) con los tornillos adjuntos. Es importante taladrar los agujeros en los elementos antes de fijar los tornillos. Tenga en cuenta los intervalos entre los tornillos como se muestra en el dibujo, a fin de evitar los problemas que surgen debido a la expansión o contracción de la madera.

Consejo: Asegúrese de que los extremos superiores de protección contra tormentas se fijan a las vigas de los extremos de la terminación de cuatro aguas y los extremos inferiores terminan a la mitad del primer elemento largo de la pared. Si es necesario, corte el los tableros de la parte superior.

Con el fin de permitir la expansión / contracción de la madera, los tornillos no se deben fijar demasiado firmemente.

Después de la instalación del edificio, hay que ajustar las fijaciones para que los elementos de la pared puedan asentarse hacia abajo también.

Instalación de los tableros de acceso:



Recomendaciones generales:

Problema: *Aparecen aberturas entre los elementos de la pared*

Causa: La casa dispone de elementos adicionales incluidos que no permiten la expansión / contracción de la madera.

Solución: Si una puerta / ventana se ha sido fijada a los elementos de la pared con tornillos detalles / clavos, retire los tornillos / clavos.
Si un tablero de acceso ha sido fijado con un tornillo demasiado firmemente, afloje un poco el tornillo.
Si las tuberías (de lluvia) han sido fijadas a las paredes, afloje un poco el cierre que sujeta las tuberías.

Problema: *Puertas / ventanas están atascadas*

Causa: La casa / cimentación ha asentado.

Solución: Compruebe si la casa esta nivelada. Si no lo está, nivele las vigas de la cimentación y las paredes de nuevo.





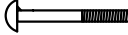





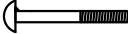







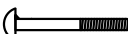
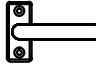
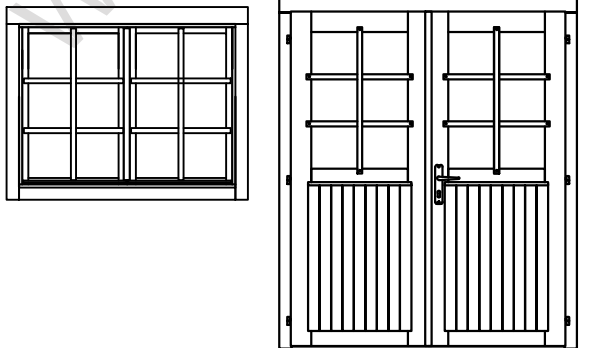
Causa: Puertas y ventanas se han hinchado debido a la humedad.

Solución: Ajustar las bisagras de las puertas y ventanas, si es necesario, alise la puerta o una ventana más fina.

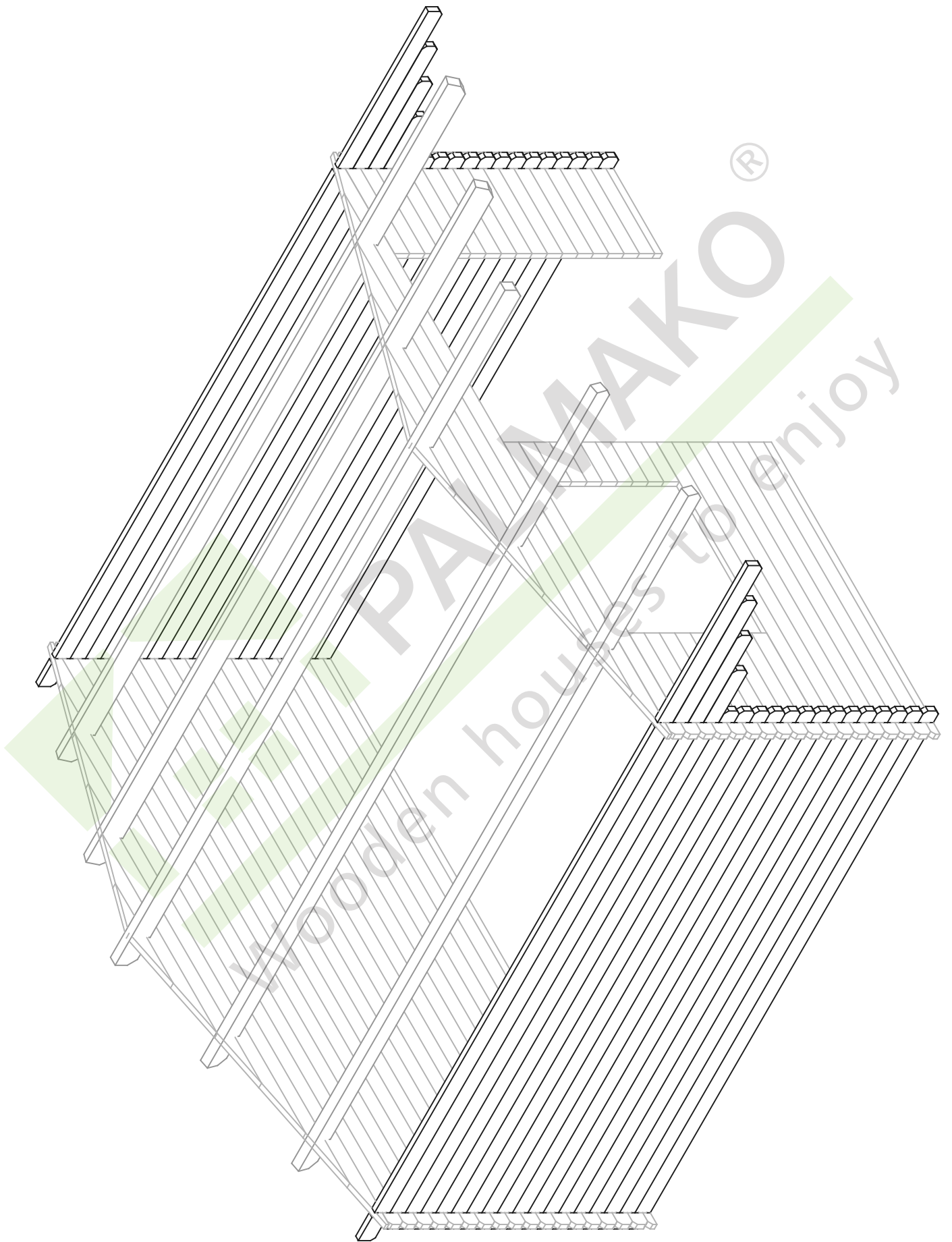


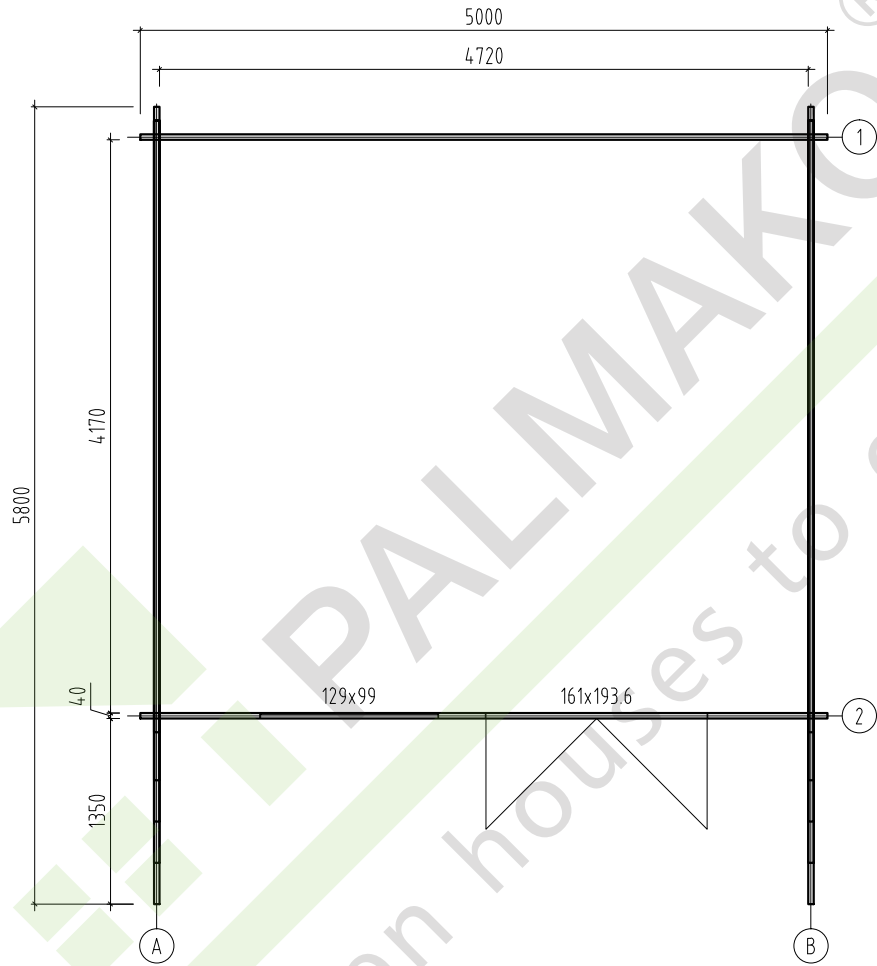
¡Le deseamos la mejor de las suertes en el montaje de su cabaña y mucha alegría por muchos años!

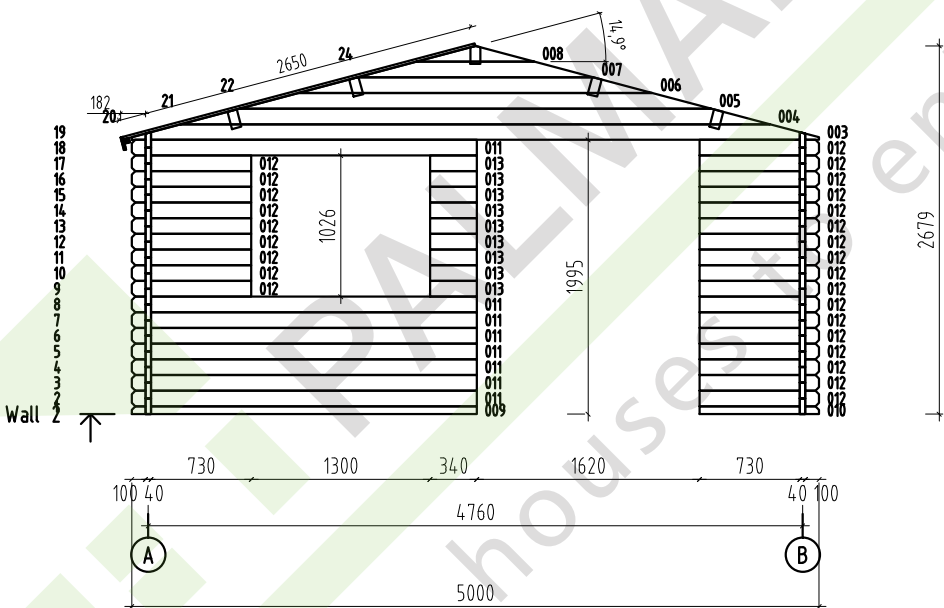
Pos	SPECIFICATION-STÜCKLISTE-NOMENCLATURE-ELEMENTI-ESPECIFICACIÓN "FRI40-5044"	Pcs	Profile (mm)	Length (mm)
001		1	40x57	5000
002		17	40x114	5000
009		1	40x57	2510
010		1	40x57	870
011		8	40x114	2510
012		26	40x114	870
013		9	40x114	340
014		28	40x114	4450
015		2	40x114	4800
016		2	40x114	5100
017		2	40x114	5400
018		1	40x114	5800
019		1	40x114	5800
W1-1		1		
W2-1		1		
PR1	 Purlin- Dachpfette- Arbalétrier- Arcareccio- Correa	4	70x140	5800
PR2	 Purlin- Dachpfette- Arbalétrier- Arcareccio- Correa	1	70x140	5800
070	Roof board- Dachbrett- Madrier du toit- Tavola tetto- Tabla de tejado 	132	89x19	2650
120	Diamond- Deckbrett- Madrier- Tavola di copertura- Rombo 	2	19x140	300
090	Eave edging- Dachrandbrett- Madrier en bordure du toit- Tavola bordo tetto- Tabla de valadizo 	4	16x95	2900
100	Facia board- Giebelblende- Écran frontal- Schermo frontone- Tabla de facia 	4	16x120	2690
080	Roof edge reinforcement- Dachrandleiste- Baguette en bordure du toit- Rinforzo bordo tetto- Refuerzo borde tejado 	2	32x40	2550
081	Roof edge reinforcement- Dachrandleiste- Baguette en bordure du toit- Rinforzo bordo tetto- Refuerzo borde tejado 	2	32x40	3250
	Object name "FRI40-5044"	Page 1/2		

Pos	SPECIFICATION-STÜCKLISTE-NOMENCLATURE-ELEMENTI-ESPECIFICACIÓN "FRI40-5044"	Pcs	Profile (mm)	Length (mm)
157	Side slat - Randleiste - Baguette en bordure - Listello bordo 5 	2	28x45	1686
140	Storm brace- Sturmleiste- Protection contre le vent- Antivento- Protector contra tormentas 	4	25x45	2000
110	Wind brace- Windbrett- Madrier contre le vent- Tavola vento- Tabla contra el viento 	4	16x45	2690
300	-Fixing kit- Befestigungsset- Moyens de fixation- Materiale di fissaggio- Kit de fijación 	2	USE	
QPUP Ø8x80	Bolt -Schloss-schraube -Bouton- Bullone- Perno- M8x80mm PUPØ 	8	140	
	Cylinder- Zylinderschloss- Serrure a mortaiser- Serratura a cilindro- Bombin 	1	TU40-1R	
	Door fittings- Türbeschlag- Ferrure- Ferramenta porta- Manilla (puerta) 	1	TU40-1R	
QServa riiviv astus120	Keeper- Schliessblech- Tole- Lamiera- Aldaba de candado 	1	TU40-1R	
QNA2 2x50Zn	Nail- Nagel- Clou- Chiodo- Clavo- 2.5x50mm 	550	Ø70	
QMU8	Nut- Schraubenmutter- Écrou- Dado- Tuerca- M8mm 	8		
QKR2 5 x16kZn	Screw- Schraube- Vis- Vite- Tornillo- 2.5x16mm 	2		
QKR3 5x40Zn	Screw- Schraube- Vis- Vite- Tornillo- 3.5x40mm 	100	Ø80; 090; 100; ...	
QKR3 x20Zn	Screw- Schraube- Vis- Vite- Tornillo- 3x20mm 	24	TU40-1R; TA-401	
QKR4 5x70Zn	Screw- Schraube- Vis- Vite- Tornillo- 4.5x70mm 	30	001; 009; 010; 018; 019; PRx; 157	
QKR5 x90Zn	Screw- Schraube- Vis- Vite- Tornillo- 5x90mm 	4	TU40-1R	
QSE8x22	Washer- Dichtscheibe- Joint- Rondella- Arandela- 8x22mm 	8		
QALi nkHOBE	Window fittings- Fenstergriff- Poigne de la fenêtre- Maniglia finestra- Manilla (ventana) 	1		
TA-401 TU40-1R	Window - Fenster - Fenetre - Finestra-Ventana 1290x990 Door - Tür - Porte - Porta-Puerta 1610x1936 	1 1		

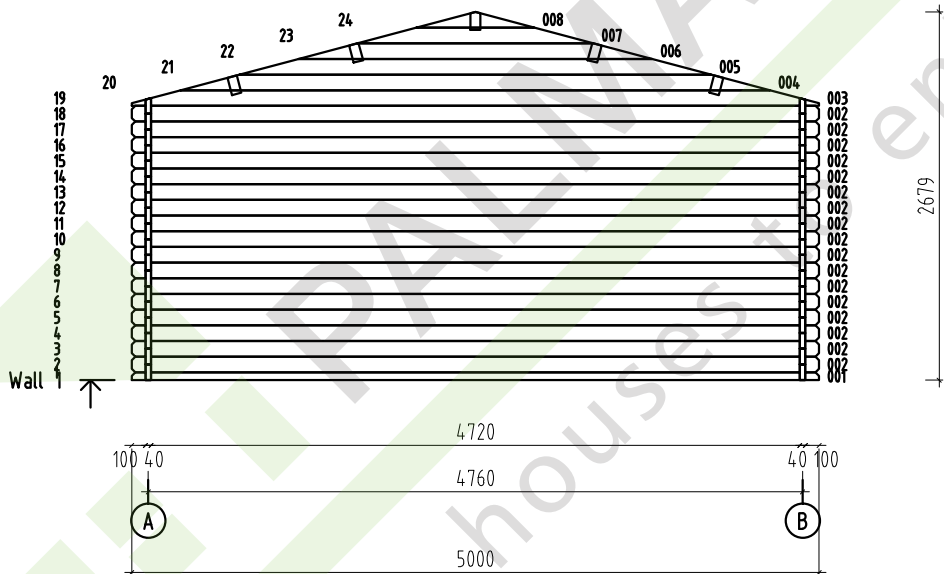




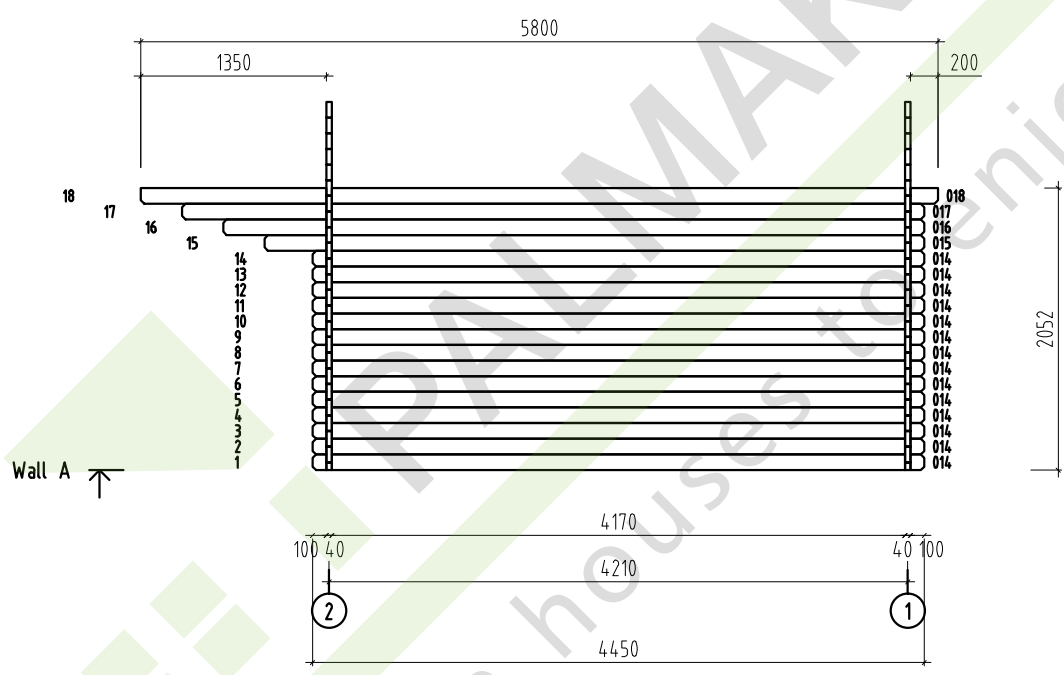




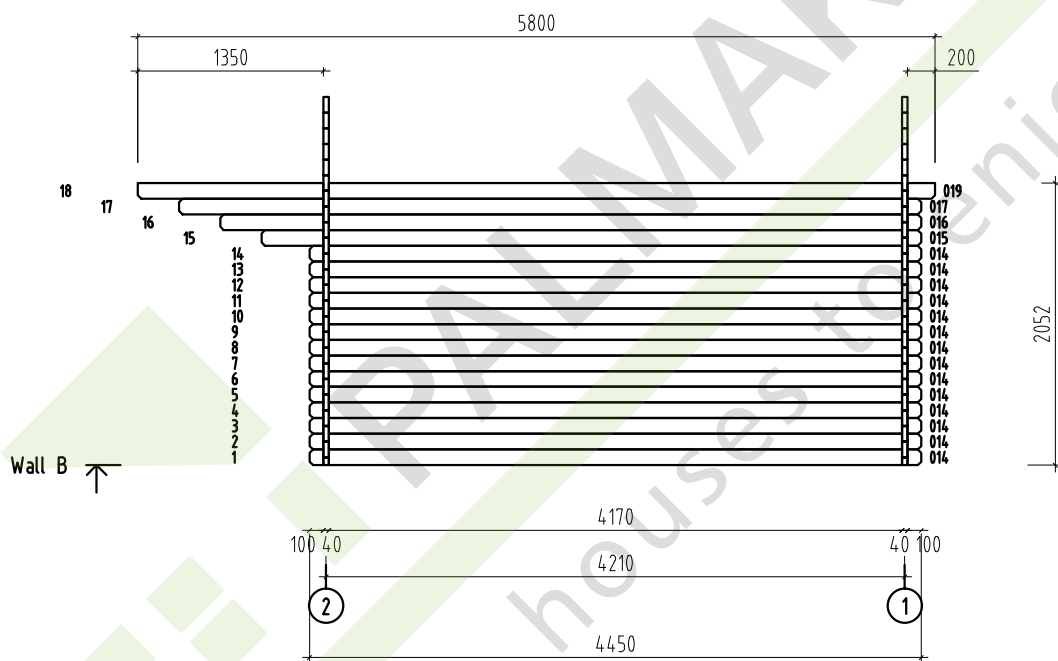
DAINIAKO®
 Wooden houses to enjoy



PALMIAKO®
 Wooden houses to enjoy

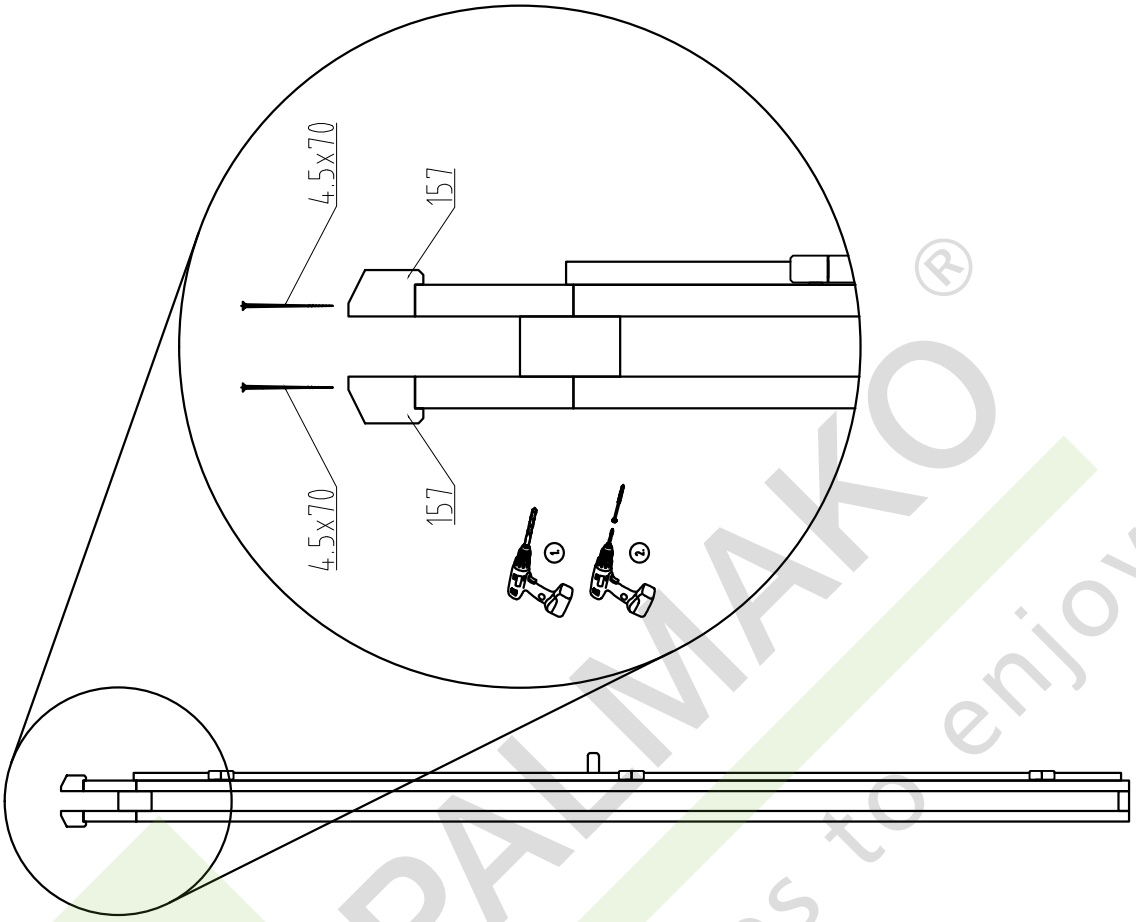
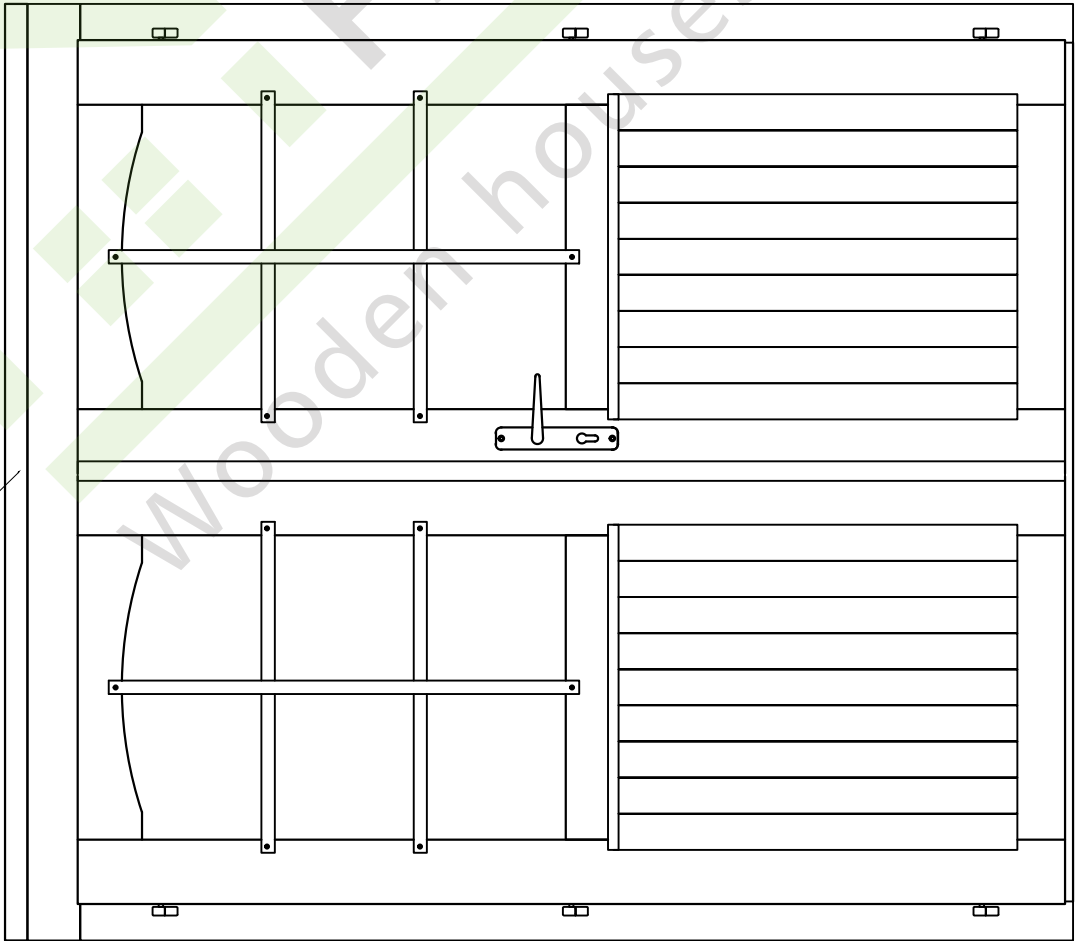


PALMAKO®
Wooden houses to enjoy

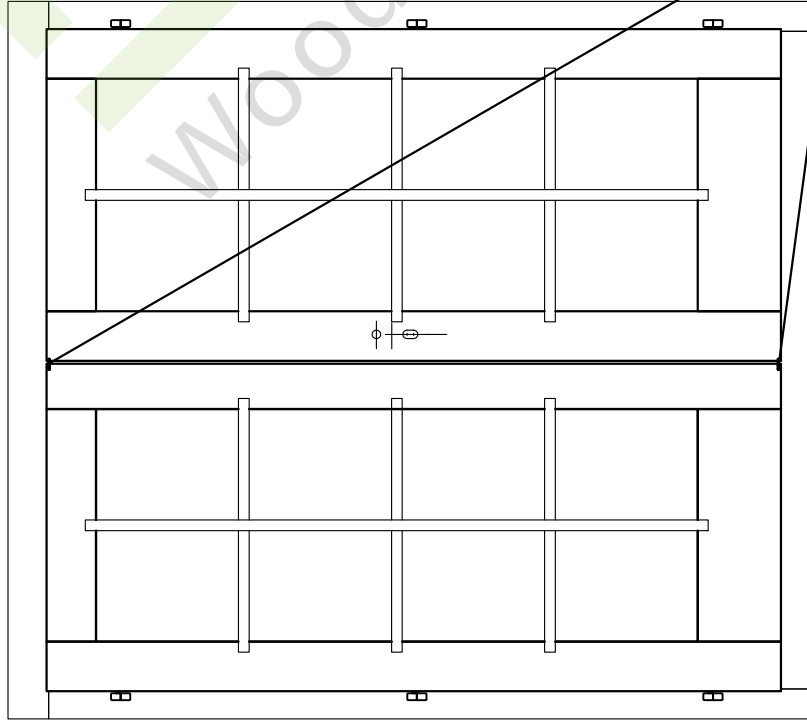


PALMAKO®
Wooden houses to enjoy

157



PALMAKO®
Wooden horses to enjoy



1. Drill a suitable hole.
2. Fix the keepers with 2.5x16 mm screws.
3. If the house has a metal door sill, the keeper is not needed.

1. Ein passendes Loch bohren.
2. Das Schliessblech mit 2,5x16 mm Schrauben befestigen.
3. Falls die Tür eine Edelstahlschwelle hat, brauchen sie kein Schliessblech.

1. Percer un trou approprié.
2. Fixer la tôle avec des vis de 2,5x16 mm.
3. Si la maison a un seuil de porte en inox, le tole n'est pas nécessaire.

1. Trapanare un buco adatto.
2. Fisser la lamiera con 2,5x16 mm viti.
3. Se la casa ha una porta in metallo davanzate, il lamiera non è necessario.

1. Taladra un hueco apropiado.
2. Fije las aldabas de candado con 2,5x16 mm tornillos.
3. Cuando la casa tiene protector de pisada metálico, la aldaba de candado no es necesario.

